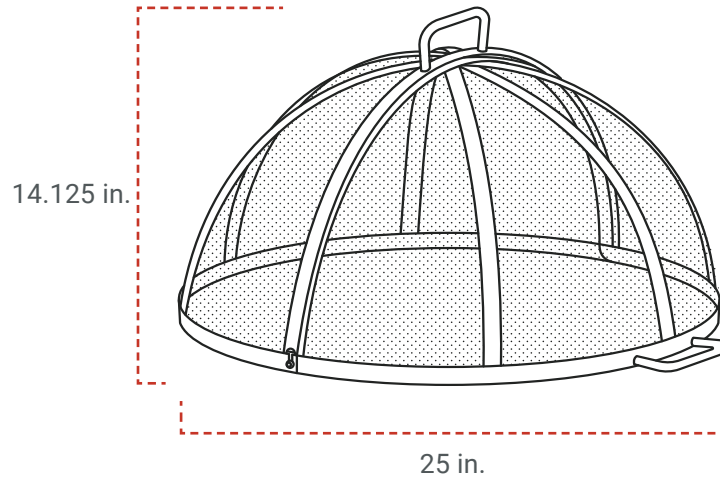


# SPARK SCREEN 24

## SPECIFICATIONS

SKU: BR-SS24



**HINGED DESIGN WITH HANDLES FOR EASY ACCESS TO THE FIRE**

### UNIT:

**Material:**

304 Stainless Steel

**Weight:** 8 lbs 3 oz

### DIMENSIONS:

**Diameter:** 25 in

**Total Height:** 14.125 in.

**Handle Width:** 5.125 in.

**Handle Height:** 2.2 in.

### COMPATIBLE:

**X Series 24 Fire Pit**

**Live-Fire Grill**

**Zentro® 24 Round**