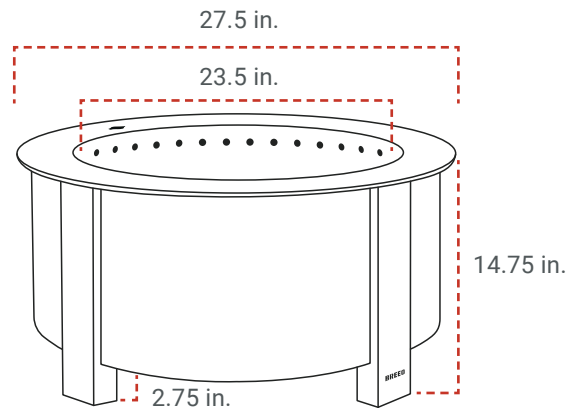


X SERIES 24 SMOKELESS FIRE PIT

SPECIFICATIONS

SKU: BR-X24P & BR-X24S



DESIGNED TO ENSURE A SMOKELESS EXPERIENCE

UNIT:

Material:

Corten* or 304 Stainless Steel Finish
304 Stainless Steel Legs & Rim

**Corten steel arrives with a dark blue steel look that develops a patina over time when exposed to the elements. Over the first year and beyond, your Corten steel fire pit will transform into a reddish iron oxide patina.*

Weight: 62 lbs.

Firewood Length: 16-18 in.

DIMENSIONS:

Inside Diameter: 23.5 in.

Outside Diameter: 27.5 in.

Rim Width: 2.7 in.

Fire Pit Bottom Clearance: 2.75 in.

Leg Width: 3 in.

Total Height: 14.75 in.



BREEO.COM

©2024 Breoo LLC. All rights reserved. 08/24

