

**Model / Modèle**

5110-30RDC-E	5112-36RDK-E	5120-54BTK-E	5122-54RDK-E
5110-36RDC-E	5112-54BTD-E	5120-54RDD-E	5130-36RDC-E
5110-36RDK-E	5112-54BTK-E	5120-54RDK-E	5130-54RDD-E
5110-54BTD-E	5112-54RDD-E	5122-30RDC-E	5130-54RDK-E
5110-54BTK-E	5112-54RDK-E	5122-36RDC-E	5132-54RDD-E
5110-54RDD-E	5120-30RDC-E	5122-36RDK-E	5132-54RDK-E
5110-54RDK-E	5120-36RDC-E	5122-54BTD-E	5134-54RDD-E
5112-30RDC-E	5120-36RDK-E	5122-54BTK-E	5134-54RDK-E
5112-36RDC-E	5120-54BTD-E	5122-54RDD-E	



**Report #14662-1G**  
**Tested & Certified to**  
ANSI Z21.97-2017/CSA 2.41-2017  
CGA 2.17-M91 (R2017)

**APPLIANCE BTU RATING**  
48,000 Propane / 52,000 Natural Gas

# CASUAL FIRESIDE®

A HIGHER STANDARD IN QUALITY AND APPEARANCE - SAFE AND BEAUTIFUL OUTDOOR  
FIRE PIT FOR PROPANE AND NATURAL GAS (Requires Conversion Kit)

The link below will take you to the Owners Manual and Operating Instructions in French where you can download a copy.  
Sélectionnez le lien ci-dessous pour télécharger les instructions françaises.  
<http://www.owlee.com/technical-information.aspx>



## WARNING: FOR OUTDOOR USE ONLY

Installation and service must be performed by a qualified installer, service agency, or the gas supplier



### READ THESE INSTRUCTIONS FULLY BEFORE INSTALLING THIS OUTDOOR FIRE PIT.

If the information in this manual is not followed exactly, a fire or explosion may result causing personal injury, death or property damage.

**BUILDING CODE AND FIXED PIPING SUPPLY REQUIREMENTS:** When an appliance is connected to a fixed gas piping supply system, the installation must conform to local building codes, or in the absence of local building codes, to the National Fuel Gas Code, ANSI Z223.1/NFPA 54, International Fuel Gas Code, Natural Gas and Propane Installation Code, CSA B149.1, or Propane Storage and Handling Code, B149.2, as applicable.



### WARNING

Improper installation, adjustment, alteration, service or maintenance of this gas appliance can cause injury, death or property damage. Read the installation, operating and maintenance instructions thoroughly before installing or servicing this gas appliance.



### WARNING

To avoid risk of fire or explosion. Do Not store or use gasoline, or other flammable vapors and liquids, in the vicinity of this or any other gas appliance. An LP-cylinder not connected for use shall not be stored in the vicinity of this or any other gas appliance.



### DANGER

#### FIRE OR EXPLOSION HAZARD

If you smell a rotten egg odor **immediately**:

1. Shut off gas supply to the appliance.
2. Extinguish any open flame.
3. If odor continues, leave the area **immediately**.
4. After leaving the area, call your gas supplier or fire department.

**Failure to follow these instructions could result in fire or explosion, which could cause personal injury, death or property damage,**



This gas appliance is designed as an "attended appliance". Adults must be present when the unit is operating/burning. **DO NOT leave this unit operating/burning when unattended.** If this product is left operating/burning and unattended it may cause serious injury, death and or property damage.



### DANGER



### CARBON MONOXIDE HAZARD

This appliance can produce carbon monoxide which has no odor.

Using it in an enclosed space can kill you.

Never use this appliance in an enclosed space such as a camper, tent, car or home.

**INSTALLER** - Leave this manual with the appliance.

**CONSUMER** – Retain this manual for future reference.

# OUTDOOR FIRE PIT - TABLE OF CONTENTS

## Table of Contents

Cover - Important Safety Information .....	1
Important Safety Information and Minimum Clearances to Combustibles .....	2
Pre-Installation & Preparation Guidelines .....	3
Important Safety Information .....	4
Installation Information Connecting the Gas to the Fire Pit .....	5
Propane Tank Information .....	6
Media Placement and Replacement Parts List Certified Media List / Protective Screen Media Clearance .....	7
Gem, Mirrored, Crushed Glass and Lava Rock Installation .....	8
Ceramic Logs Media Installation .....	9
Trouble Shooting Guide .....	10
Warranty Information .....	11
Operation Instructions Lighting Instructions .....	12
Proposition 65 Public Warning .....	13
Conversion to a Different Gas Type .....	14

## IMPORTANT SAFETY INFORMATION

### READ THESE INSTRUCTIONS FULLY BEFORE INSTALLING THIS OUTDOOR FIRE PIT.

If not installed and used correctly per these instructions,  
this product can cause serious injury, death, and or property damage and may void the warranty.

**CAUTION:** FIXED PIPING GAS SUPPLY INSTALLATION, AND REPAIRS MUST BE DONE BY  
A CERTIFIED PROFESSIONAL TECHNICIAN or LICENSED PLUMBER.

Be sure you understand all safety precautions and warnings contained in this manual.  
If you have any questions, please contact O.W. Lee at (800) 776-9533

- A. CHECK STATE AND LOCAL BUILDING CODES TO DETERMINE IF THE OUTDOOR FIRE PIT IS PERMITTED IN YOUR LOCALITY BEFORE INSTALLATION.**
- B. FOR OUTDOOR USE ONLY. THIS UNIT MUST BE INSTALLED AT LEAST 60" FROM CENTER OF BURNER TO ANY COMBUSTIBLE WALLS, CEILINGS, OR MATERIAL.**
- C. WHEN SHUTTING OFF THE UNIT — BE SURE TO TURN THE CONTROL VALVE ON THE FIRE PIT TO THE FULLY OFF POSITION ON THE FIRE PIT and CLOSE THE VALVE ON THE PROPANE TANK or NATURAL GAS SUPPLY LINE.**
- D. WARNING: CARBON MONOXIDE POISONING MAY LEAD TO DEATH. DO NOT MODIFY THIS OUTDOOR FIRE PIT OR ITS CONTROLS, EXCEPT AS PROVIDED FOR IN THIS MANUAL.**
- E. IMPROPER INSTALLATION OR USE OF YOUR OUTDOOR FIRE PIT CAN CAUSE SERIOUS INJURY, DEATH, AND OR PROPERTY DAMAGE FROM FIRE, BURNS, EXPLOSIONS OR CARBON MONOXIDE POISONING.**

## MINIMUM CLEARANCE TO COMBUSTIBLES

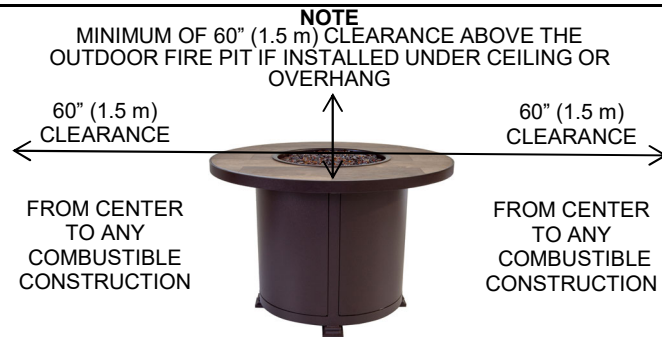


Figure 1

### Clearances to Combustible Construction:

Sidewalls: 60" (1.5 m) from center of unit (Figure 1)  
Ceiling: 60" (1.5 m) from top of unit to ceiling or overhang  
Flooring: 0" – Can be installed on deck, slab, floor, etc.

The dimensions shown in Figure 1 are MINIMUM CLEARANCES to maintain when you install this Outdoor Fire Pit. THERE MUST BE AT LEAST 60" of clearance from the center of the unit to any combustible sidewalls, ceilings, or material.

## IMPORTANT SAFETY INFORMATION

### Pre-Installation & Preparation Guidelines

- A. Before installing the Outdoor Fire Pit, check "Minimum Clearance to Combustibles" on page 2. **MINIMUM CLEARANCES** must be maintained when you install this Outdoor Fire Pit. **THERE MUST BE AT LEAST 60"** (1.5 m) from the center of the burner to any combustible sidewall, ceiling, or material.
- B. The Outdoor Fire Pit is for outdoor use only. DO NOT install or use this appliance inside a building, garage, or any other enclosed area or structure including recreational vehicles, boats & sheds. **This unit must be installed in such a manner that proper air ventilation is maintained without obstruction at all times, and during all weather conditions.**
- C. **CHECK GAS TYPE** (Natural Gas or Propane): The gas supply you intend to use may not be the same that your fire pit was setup for or is stated on your outdoor rating plate. **THIS FIRE PIT IS CONSTRUCTED FOR USE WITH PROPANE GAS.** If the gas supply is different, **or you wish to change to Natural Gas, you MUST have the Fire Pit Converted (directions to convert can be found on page 14) to the gas type you intend to use. Any gas type conversion should be performed by a qualified, professional technician or licensed plumber.** If you are unsure, contact your dealer for assistance.
- D. **DO NOT USE IF GAS PRESSURE IS LOWER THAN THE MINIMUM REQUIREMENT OR EXCEEDS THE MAXIMUM.**
- E. **GAS PRESSURE REQUIREMENTS: FOR NATURAL GAS:**  
The minimum inlet gas supply pressure for purposes of input adjustment is **3.5 inches** (127 mm) water column and maximum inlet gas supply pressure is **10 inches** (254 mm) water column.  
**FOR PROPANE:** The minimum inlet gas supply pressure for purposes of input adjustment is **8 inches** (203 mm) water column and the maximum inlet gas supply pressure is **13 inches** (330 mm) water column.  
**MANIFOLD PRESSURE REQUIREMENT:** Liquid Propane 9.5 (241.3mm) / Natural Gas 2.5 (63.5mm) of pressure.  
**DO NOT INSTALL THIS UNIT IF MINIMUM PRESSURE IS NOT AVAILABLE OR IF MAXIMUM PRESSURE IS EXCEEDED.**
- F. Fixed Gas piping system must be sized to provide minimum inlet pressure at the maximum flow rate (BTU/hr). Undue pressure loss will occur if the pipe is too small or the run is too long.
- G. Casual Fireside Fire Pits are suitable for installation from 0 - 4,500 ft. elevation without modification.
- H. If the Outdoor Fire Pit is connected to a fixed piping gas supply line, the supply line is required to have an on/off gas valve installed before the fire pit and it must be closed during any pressure testing of the system at test pressures in excess of ½ psi (3.5kPa).
- I. If the Outdoor Fire Pit is connected to a fixed piping gas supply line, the supply line is required to have an on/off gas valve installed before the fire pit and must be closed during any pressure testing of the system at test pressures equal to or less than ½ psi (3.5kPa).
- J. **INSTALLER NOTE: This unit should be installed so that it can be removed at a later date for service.**
- K. **GAS SUPPLY PLUMBING REQUIREMENTS**  
Apply only joint compounds that are resistant to all gasses on all male pipe fittings. Make sure to tighten every joint securely. **DO NOT use pipe joint compound to connect flare fittings.**
- L. **Propane Regulator Hose:** Always inspect the condition of the propane regulator hose before each operation. Any signs of excessive abrasion the hose **MUST BE REPLACED.** Contact your local dealer for replacement part #COM0589
- M. **Propane Regulator Hose** (when used): The propane regulator hose is located inside the fire pit door panel. When installed, make sure the hose is secured inside the unit and **DOES NOT TOUCH THE BURNER PAN.**
- N. **Note: The Use Of A Third Party Fire Pit Top, Media and or Components Will Void the LABTEST Certification and O.W Lee Warranty.**
- O. **SAFETY NOTE:** Fire pits connected to a fixed piped gas line, require a second gas shut off valve. The valve must be kept in the off position when the fire pit is not in use. The secondary valve shuts off the gas supply to the fire pit, and allows for maintenance and repair.

## IMPORTANT SAFETY INFORMATION

- A. **WARNING:** YOUNG CHILDREN SHOULD ALWAYS BE CAREFULLY SUPERVISED WHEN THEY ARE IN THE AREA OF THIS APPLIANCE and IT IS IN USE. SERIOUS INJURY OR DEATH MAY OCCUR
- B. **WARNING:** DO NOT sit or place any part of the body or combustible materials including hair near the Fire Pit Flame.
- C. **WARNING:** Children and adults should be alerted to the hazard of high surface temperatures and should stay away to avoid burns or clothing ignition.
- D. **WARNING:** Every time you use your Fire Pit make sure that the area around the Fire Pit is clear of ALL flammable items such as yard debris, wood, etc. and any flammable vapor producing or flammable liquid items such as gasoline, etc.
- E. **WARNING:** HOT WHILE IN OPERATION AND FOR AT LEAST A HALF HOUR FOLLOWING OPERATION.
- F. **WARNING:** Children must be carefully supervised when in the vicinity of this appliance. Serious injury or death may
- G. **WARNING:** DO NOT throw trash, paper, plastics or any other flammable materials into your Fire Pit.
- H. **WARNING:** DO NOT leave fire pit lit when unattended.
- I. **WARNING:** DO NOT operate this Fire Pit in the rain.
- J. **WARNING:** DO NOT BURN SOLID FUEL IN THIS FIRE PIT.
- K. **WARNING:** "Improper installation, adjustment, alteration, service or maintenance can cause injury, death or property damage. Read the installation, operation, and maintenance instructions thoroughly before installing or servicing this equipment"
- L. **DO NOT** continue using your FIRE PIT if you smell a rotten egg odor or have headaches, nausea or dizziness.
- M. **DO NOT** store any combustible materials, gasoline, or any other flammable vapors/liquids within 60 inches of your Fire Pit. Provide adequate clearance for servicing and operation.
- N. **WARNING:** Clothing or other flammable materials should not be hung from the appliance or placed on or near the appliance.
- O. **DO NOT use this appliance if any part of it has been under water.** Call a qualified service technician to inspect the appliance and to replace any part of the control system and any gas control part which has been under water before using.
- P. **Installation and repair should be done by a qualified service technician or licensed plumber.** Open the door on the unit to gain access for inspection.
- Q. **To reduce the risk of explosion,** the appliance should be inspected before each use and at least annually by a qualified service technician. More frequent cleaning may be required as necessary. It is imperative that the control compartment, burner and air passageways of the gas appliance are kept clean.
- R. The burner must be replaced prior to the appliance being put into operation if it is evident that the burner is damaged. Replacement burner #COM0590A manufactured by O.W. Lee Company, 1206 Fifth Street Comfort TX 78013
- S. Periodically make a visual check of the burner flame to make sure it has not considerably changed in height or coloration since last being used. Any significant change in flame height or coloration is a sign that unit needs to be inspected and serviced or cleaned as required in order to maintain proper safe operation.
- T. Cleaning of appliance – Remove lava rock or glass pieces, clean burner with soap and water and dry thoroughly before lighting. Clean lava rock or glass pieces with water and dry thoroughly before lighting. Remove any spider webs from inside the unit.

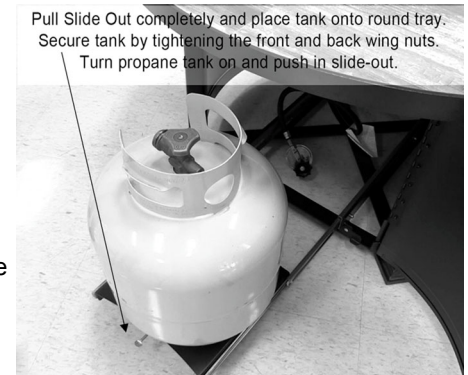
# CONNECTING AN LP-GAS CYLINDER/PROPANE TANK TO THE FIRE PIT

## IMPORTANT BEFORE PROCEEDING, CAREFULLY READ ALL OF THE IMPORTANT SAFETY INFORMATION IN THIS OWNER'S MANUAL

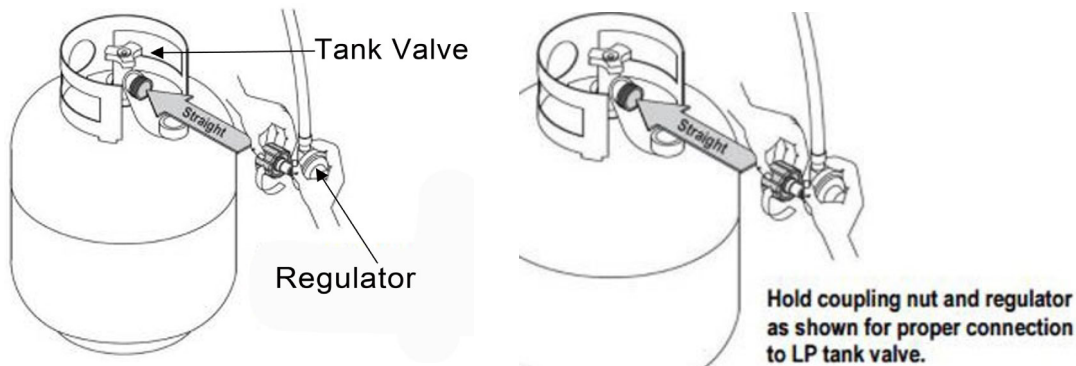
- A. **Important WARNINGS and Safety Information (Pages 1, 2, 3, 4)**
- B. **Minimum Clearance to Combustibles (Page 2)**

### THE LP-GAS CYLINDER (Propane Tank) INFORMATION:

1. Propane Cylinder Size - Capacity: 20 Lbs. (9kg) or 4.7 Gallons (17.8 Liters) of Propane  
**DO NOT OVERFILL**
2. The LP-Gas Cylinder(s) to be used must be constructed and marked in accordance with the U.S. Department of Transportation (D.O.T.) Specifications for LP-Gas Cylinders or the Standard for Cylinders, Spheres and Tubes for Transportation of Dangerous Goods and Commission, CAN/CSA-B339 as applicable.  
--Use cylinders approved for your area such as "Blue Rhino" or "AmeriGas" with this appliance. Other cylinders may be acceptable for use with the appliance provided they can be mounted to the appliance using the cylinder retention device provided. (See illustration above.)  
--The LP-Gas Cylinder to be used must be provided with a listed overfilling prevention device (OPD) and with a cylinder connection device compatible with the connection for the appliance.
3. Make sure the appliance is NOT in use, and turn OFF the gas at the supply LP-Gas Cylinder Valve.
4. The LP-Gas Cylinder must be disconnected when the appliance is not in use.
5. The LP-Gas Cylinders must be stored outdoors in a well-ventilated area out of the reach of children & at Least 60 inches away for the fire pit. Disconnected cylinders must have threaded valve caps tightly installed and must not be stored in any building, garage, or other enclosed area.
6. The LP-Gas Cylinder must be standing on the designed bottom base of the cylinder for proper vapor withdrawal.



### BEFORE INSTALLATION, BE SURE THE LP-GAS CYLINDER/PROPANE TANKS VALVE IS CLOSED.



When connecting the regulator to the tank valve, make sure the coupling nut does not cross-thread on the tank valve.

**Cross-threading the regulator nut to the tank valve may cause a leak.**

Turn on the gas to the burner system and test for leaks with soapy water solution.

**(Never use an open flame for testing).** If a leak is found, re-connect the regulator coupling nut and tighten until no leaks are detected.

The hose and burner should be inspected before each use of the appliance.

The hose assembly must be replaced prior to the appliance being put into operation if there is evidence of excessive abrasion or wear, or if the hose is damaged. The replacement hose must be specified by the manufacturer.

**! DANGER - FLAMMABLE GAS UNDER PRESSURE**  
**LEAKING LP-GAS MAY CAUSE A FIRE OR EXPLOSION IF IGNITED**  
**CAUSING SERIOUS BODILY INJURY OR DEATH.**  
**CONTACT LP GAS SUPPLIER FOR REPAIRS, OR DISPOSAL OF**  
**THIS CYLINDER OR UNUSED LP-GAS.**

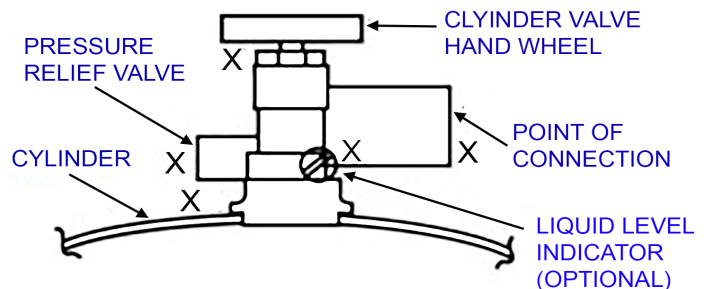
**! WARNING - FOR OUTDOOR USE ONLY\***  
**DO NOT USE OR STORE CYLINDER IN A BUILDING, GARAGE**  
**OR ENCLOSED AREA.**

**! WARNING**

- Know the odor of LP-gas. If you hear, see or smell leaking LP-gas, immediately get everyone away from the cylinder and call the Fire Department. Do not attempt repairs.
- Caution your LP-gas supplier to  
Be certain cylinder is purged of trapped air prior to first filling.  
Be certain not to over fill the cylinder.  
Be certain cylinder requalification date is checked.
- LP-gas is heavier than air and may settle in low places while dissipating.
- Contact with the liquid contents of the cylinder will cause freeze burns to the skin
- Do not allow children to tamper or play with cylinder.
- When not connected for use, keep cylinder valve turned off. Self contained appliances shall be limited to a cylinder of 30 lb. capacity or less.
- Do not use, store or transport cylinder where it would be exposed to high temperatures. Relief valve may open allowing a large amount of flammable gas to escape.
- When transporting, keep cylinder secured in an upright position with cylinder valve turned off.

**WHEN CONNECTING FOR USE:**

- Use only in compliance with applicable codes.
- Read and follow the manufacturer's instructions.
- Consult manufacturer's instructions concerning the cylinder connection provided with your
- Be sure the regulator vent is not pointing up.
- Turn off all of the valves on the appliance.
- Do not check for gas leaks with a match or an open flame. Apply soapy water to areas marked "X". Open cylinder valve. If bubble appears, close valve and have LP-gas service person make needed repairs. Also check appliance valves and connections to make sure they do not leak before lighting appliance,
- Light appliance(s) following manufacturer's instructions.
- When appliance is not in use, keep the cylinder valve closed.



**! DO NOT REMOVE, DEFACE, OR OBLITERATE THIS LABEL**  
**\*EXCEPT AS AUTHORIZED BY ANSI/NFPA 58.**

**DANGER!** Do not store a spare LP cylinder under or near a barbeque, or other heat sources.  
Never fill an LP cylinder beyond 80% full, a fire causing death or serious injury may occur.

## MEDIA PLACEMENT

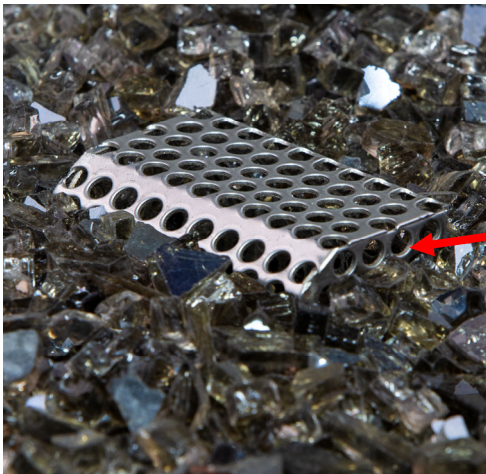
- A. Carefully inspect the carton for shipping damage. If any parts are missing or damaged, call your dealer. **Do not attempt** to install the appliance unless all parts are in good condition.
- B. Correct installation is crucial to safe performance of your Outdoor Fire Pit.
- C. Due to high temperatures, the Fire Pit must be located out of traffic areas and away from combustibles.

### REPLACEMENT PARTS AND MEDIA ARE AVAILABLE THROUGH YOUR LOCAL DEALER

- |                                |   |
|--------------------------------|---|
| #1 Stainless Steel X-Burner    | #10 Thermocouple  |
| #2 Propane Regulator           | #11 Electronic Igniter                                  |
| #3 On/Off Control Knob         | #12 Spark Electrode                                     |
| #4 Brass Control Valve         | #13 Pebble Glass Kit – Size 3/4" – 1/2" (9-19mm)        |
| #5 Whisper Quiet Flex Line 22" | #14 Crushed Fire Glass Kit –Size 1/2" – 3/4" (12-20 mm) |
| #6 Brass Fitting               | #15 Mirrored Glass Kit - Size 1/4" - (6.35mm)           |
| #7 Propane Orifice             | #16 Lava Granules 3/8"                                  |
| #8 Natural Gas Conversion Kit  | #17 Ceramic Rock Kit with Lava Granules                 |
| #9 Protective Mesh Screen      |   |

## PROTECTIVE SCREEN MEDIA PLACEMENT

***Media placement is crucial to the operation of the fire pit performance.***

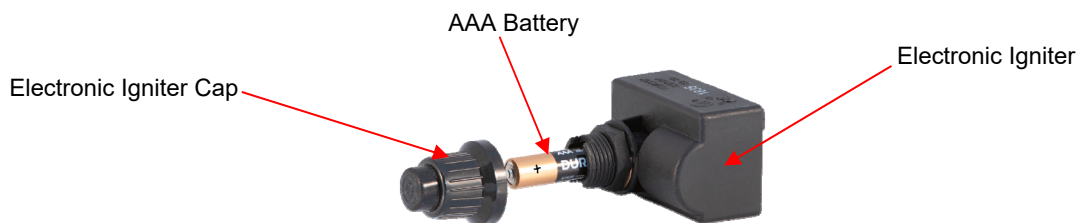


**Minimum Clearance**

**To ensure proper air flow, the protective screen requires to be clear of media on the surface and all four sides as shown above.**

### *Electronic Igniter Battery Installation / Replacement Instructions*

Remove the Electronic Igniter cap by turning counter-clockwise. Slide the AAA battery into the battery slot, make sure the positive side of the battery faces outward. Replace the Electronic Igniter cap by turning the cap clock-wise until snug.



## MEDIA PLACEMENT

- A. Carefully inspect the carton for shipping damage. If any parts are missing or damaged, call your dealer. **Do not attempt** to install the appliance unless all parts are in good condition.
- B. Correct installation is crucial to safe performance of your Outdoor Fire Pit.
- C. **CAUTION:** Due to high temperatures, the Fire Pit must be located out of traffic areas and away from combustible:

## GEM, MIRRORED AND CRUSHED GLASS MEDIA PLACEMENT

Pour the mirrored, gem or crushed glass media into the Outdoor Fire Pit burner so that the burner is covered.

**NOTE: See Page 7 For Protective Screen Media Clearance**  
(See Figure 1 and 2)

**Figure 1.**

Pour the first bag of the glass media into the burner support.



**Figure 2.**

Pour the additional bags of media onto the burner support. Spread the media evenly covering the burner.



**Protective Screen**

## LAVA GRANULE PLACEMENT

Pour the lava granules into the Outdoor Fire Pit so that the burner is covered by 1/2" and spread evenly.

**NOTE: See Page 7 For Protective Screen Media Clearance**  
(See Figure 1 and 2)

**Figure 1.**

Pour the first bag of the lava granules media into the burner support.



**Figure 2.**

Pour the additional bag of lava granules onto the burner support. Spread the media evenly covering the burner.



**Protective Screen**

**CAUTION: BURN HAZARD. GEM, MIRRORED and CRUSHED GLASS and LAVA GRANULES WILL REMAIN HOT FOR SOME TIME AFTER USE.**

YOU MUST MAINTAIN THE LAYOUT AS SHOWN TO ENSURE PROPER OPERATION OF YOUR FIRE PIT. IF YOU NEED TO REPOSITION ANY MATERIAL TO MAINTAIN THE PROPER LAYOUT, USE HEAT RESISTANT GLOVES OR ALLOW MATERIAL ADEQUATE TIME TO COOL BEFORE HANDLING.

**CAUTION:** Lava granules used in a fire pit are porous and when heated up to normal operating temperature can cause trapped gasses or moisture to expand and cause a "pop" and "launch" outside of the fire pit, which could cause injury or property damage. Allow lava granules to completely dry after getting wet, rained on or hosed off, before lighting and using the fire pit.



## CERAMIC LOG MEDIA PLACEMENT

Figure 1,  
Place the largest log diagonally  
centered of the burner and the  
curved as shown below.



Figure 2,  
Place the larger two logs as  
desired using the largest log as the  
support.



Figure 3,  
Place the balance of the logs as  
desired. Make sure to leave  
enough space for proper air flow.



**Note: See Page 7 for Protective Screen Media Clearance**

**CAUTION: BURN HAZARD. LAVA GRANULES and CERAMIC LOGS  
WILL REMAIN HOT FOR SOME TIME AFTER USE.**

YOU MUST MAINTAIN THE LAYOUT AS SHOWN TO ENSURE PROPER OPERATION OF YOUR FIRE PIT.  
IF YOU NEED TO REPOSITION ANY MATERIAL TO MAINTAIN THE PROPER LAYOUT, USE HEAT  
RESISTANT GLOVES OR ALLOW MATERIAL ADEQUATE TIME TO COOL BEFORE HANDLING.

**CAUTION:** Lava granules used in a fire pit are porous and when heated up to normal operating temperature can cause trapped gasses or moisture to expand and cause a "pop" and "launch" outside of the fire pit, which could cause injury or property damage. Allow lava granules to completely dry after getting wet, rained on or hosed off, before lighting and using the fire pit.

# TROUBLE SHOOTING GUIDE

PROBLEM	POSSIBLE CAUSE	SOLUTION	NOTES
Propane Tank Does Not Fill	Propane tank was not purged properly	Return the tank to an authorized propane station and re-purge the propane tank.	The Purge process requires that all air is removed from the propane tank prior to the first fill
	The OPD float valve on the propane tank has been activated, closing the valve and not allowing the tank to fill.	Attach the regulator to the propane tank, turn the control valve on for a few seconds to reset the OPD float valve.	The OPD float valve is a safety device which is activated when the propane tank has been filled too quickly.
You Smell Propane or a Rotten Egg Smell  <b>Immediately Stop! See Warnings &amp; Instructions on Page 1</b>	Control valve not closed completely.	To shut off the valve, push the control valve in slightly to unlock and turn to the right (Clockwise) completely.	The far right position on the control valve is the off position
	The regulator was not properly secured to the propane tank.	Disconnect the regulator and reconnect it properly to the propane tank.	The Regulator needs to be tightened securely & fully to the Propane Bottle to prevent propane leaks & to supply the correct amount of propane.
Flame Problems: No Flame Intermittent Flame Low Flame	The tank was not purged properly, it contains a mixture of air and propane. The results is intermittent flame, or flame extinguishes in a short period of time.	Burn off the remaining propane and re-purge the tank.	The purging process requires that ALL the air is removed from the propane tank during the first fill to ensure maximum efficiency. See your local authorized propane dealer.
	In cooler temperatures, the liquid propane does not convert quickly enough to gas therefore causing the tank to freeze on the outside.	Turn the control valve to the low position where the flow is not as high.	
	Flame setting too low.	To Increase the flame, Turn the control valve clockwise to the 12 o'clock position to get the maximum amount of BTU's.	
	Flame setting too high.	To lower the flame, Turn the control valve counter clockwise from the 12 o'clock position a quarter turn to the set low position and a lower amount of BTU's.	
	Spiders may have created webs or insects may have created nests inside the venturi or orifice.	Make sure the fire pit is not in use & has not been used recently and the unit is cold to the touch so as to not get burned. Make sure the control valve is in the off position. Close the propane tank valve or the fix piping supply line valve. See page 12 of this manual on Converting Your Fire Pit to a Different Gas Type on how to access the venturi & the orifice. Insert a small wire in the venturi & orifice holes to clear passage free of spider webs or other debris. Make sure to put everything back correctly when finished for proper fire pit operation and safety.	This is a common problem when the fire pit has not been used for an extended period of time.
Low or Excessive Flame Using Natural Gas	The water column may not have been adjusted correctly.	Contact your local licensed plumber or certified tech for assistance.	
Fire Pit Wobbles	Cement slab or the use of natural stone may not be completely even.	Optional adjustable fire pit glides are available through your local dealer.	Optional glides are perfect for areas where the draining slope to level out a fire pit.

## ADDITIONAL CARE AND INSTRUCTIONS

**DO NOT** remove the glass wind guards until it has completely cooled, approximately 1/2 hour. Check to be sure that all glass guard connector fittings have not come loose after the cooling process.

**DO NOT** lift the glass wind guard until connector fittings hardware has been checked and is still secure to the glass guards. Glass connectors may have become loose after use. Make sure all glass connectors are secure after each use of the glass wind guard.

**Clean** glass wind guards only after completely cool to the touch, approximately 45 minutes after use, with water and white vinegar mix or commercially available streak-free glass cleaner and a soft cloth. **DO NOT** touch glass wind guard for 30-45 minutes following use. **It will be hot.**

**Fire Pit Base** - Rust seepage and or oxidation may occur in some crevices. The area can be easily serviced by using a detail brush and or fine grit sandpaper. Once the are is clear from rust seepage or oxidation, follow by wiping clean and applying touch-up to seal the crevice. Contact your local dealer for the matching touch-up pen or aerosol.

**Hammered Copper Tops** - Using a stainless steel polish will help protect & keep the top looking nice. Note: Always use coasters when setting drinks and or food on the top. Spilling acidic drinks and food may discolor the hand applied patina. Should the patina be removed with acidic elements, the area will darken over time.

**Porcelain Table Tops** - Clean with mild soap and water. Rinse with clean water to remove all soap residue. Note: The grout is made from a durable outdoor epoxy which does not need to be sealed.

# WARRANTY INFORMATION

**Note:** All warranties apply to the original owner only, and begin at the date of purchase. Proof of purchase is required with all claims. Your OW Lee frame comes with a twenty (20) year structural limited warranty when properly maintained in ordinary home use. OW Lee will, at factory option, repair or replace any OW Lee furniture that has failed structurally during normal use and regular maintenance.

**Fire Pit Base** - Your OW Lee frame comes with a twenty (20) year structural limited warranty when properly maintained in ordinary home use. OW Lee will, at factory option, repair or replace any OW Lee furniture that has failed structurally during normal use and regular maintenance.

**Powder Coat Finish** - OW Lee offers a five (5) year limited warranty for frames against blistering, peeling, or fading of the frame finish under normal use and proper maintenance, excluding Oxford White on iron finishes. OW Lee will, at factory option, refinish or replace your OW Lee furniture. If the above occurs within a five year period from the date of purchase. Occasional rust seepage from crevices and hidden unfinished surfaces inherent in some ornate wrought iron designs is considered a care and maintenance function and is not considered a finish failure. To retain the warranty, regular care and maintenance is required. **More frequent care and maintenance is required in coastal areas.**

**Cast Aluminum Tops** - O.W. Lee offers a five (5) year metal frame limited warranty on its cast/metal hearth and table tops. To retain its warranty, touch-up any scratches or chips. OW Lee will, at factory option, will repair or replace any tabletop found to be defective during this warranty period. Regular maintenance must be exercised as set forth in the care instructions. In the event the furniture style, frame finish, fabric or table top has been discontinued, OW Lee will replace the product with a similar item.

**Porcelain Tops** - OW Lee offers a five (5) year limited warranty on all Porcelain tops from date of delivery. This limited warranty covers the workmanship and structural integrity of the top. Samples displayed or provided to customers are a representation of that series color and are not expressed or implied to be identical. Porcelain tiles are manufactured to mimic natural stone. Some unevenness in the table top surface is considered normal. OW Lee will, at factory option, repair or replace any tabletop found to be defective during this warranty period. Regular maintenance must be exercised as set forth in the care instructions.

**Authentic Hammered Copper Tops** - OW Lee offers a two (2) year limited warranty on all authentic hammered copper tops from date of delivery. This limited warranty covers the workmanship and structural integrity of the top. The uniqueness of this natural material rests in that no two tops are ever alike. OW Lee will, at factory option, repair or replace any tabletop found to be defective during this warranty period. Regular maintenance must be exercised as set forth in the care instructions.

**Fire Pit Component Parts** - O.W. Lee extends a two (2) year limited warranty on all burner components under normal use and proper maintenance. OW Lee will, at factory option, repair or replace any outdoor fire pit burner found to be defective during this warranty period. Regular maintenance must be exercised as set forth in the owner's manual. For more information go to [www.owlee.com](http://www.owlee.com).

## Items Not Covered Under Warranty (Residential)

- This limited warranty does not apply to any damage caused by shipping, accidents, fading, staining, natural weathering, misuse, alterations or repairs. No other person is authorized to assume liability on behalf of OW Lee, and in no event shall OW Lee be liable for any contributory or subsequent damage related to the merchandise purchased from OW Lee.
  - Any failure caused by unreasonable use or abuse.
  - Rust seepage or bleeding from crevices or hidden, non-finished surfaces inherent in some ornate wrought iron designs;
  - Rusting and/or oxidation of frames resulting from exposed metals that have been scratched, chipped or not maintained as outlined in the care and maintenance instructions;
  - Normal fading of frame finish;
  - Accidental damage (including fire, wind or other acts of God).
  - Permanent stains caused by lotions, oils or other substances.
  - Hard-water deposits or calcium build-up due to minerals found in regional water supplies.
  - Table/hearth tops or bases installed and/or used with other manufacturer's table bases, table, or hearth top, or incorrect installation of the base to the table top.
  - Furniture used for commercial or institutional use. (See Commercial Warranty at [owlee.com](http://owlee.com).)
  - Items that are repaired, refinished or otherwise modified by any person or entity other than OW Lee.
- Please Note: Regular maintenance must be exercised as set forth in the care instructions.*

**Return of Furniture** PRIOR AUTHORIZATION from the factory or factory representative is required. You must be the original purchaser and be able to provide proof of purchase when you make a claim. To submit a warranty claim, contact the dealer where you purchased your furniture. If you are not sure how to contact the dealer, contact our warranty department at (800) 776-9533, via fax: (909) 947-6614 and/or via email at [owleera@gmail.com](mailto:owleera@gmail.com).

If the complaint is covered by warranty and the furniture returned within 24 months from the date of purchase. OW Lee will arrange for freight pick-up and pay the surface freight from the dealer location to the factory. The consumer is responsible for freight charges to and from the factory if beyond the timeframe stated above. Return furniture must be in a carton for freight pick up. Furniture must have been used only for residential use as defined in the original purchase order.

Except as expressly provided herein, OW Lee makes no warranties, whether express or implied including, but not limited to, warranties of merchantability and fitness for a particular purpose. OW Lee's limited warranty claims may only be processed directly through OW Lee by the dealer who made the sale of the merchandise. In the event the furniture style, frame finish, fabric or table top has been discontinued, OW Lee will replace the product with a similar item currently offered by OW Lee.

# OPERATING INSTRUCTIONS

\*We recommend that before you install your Fire Pit you familiarize yourself with the control valve layout. This will help you to be confident operating the Fire Pit when fully installed (see figures below for typical control positions).

## FOR YOUR SAFETY, READ BEFORE LIGHTING



**WARNING: IF YOU DO NOT FOLLOW THESE INSTRUCTIONS EXACTLY, A FIRE OR EXPLOSION MAY RESULT CAUSING PERSONAL INJURY, DEATH OR PROPERTY DAMAGE.**

**BEFORE LIGHTING** - Smell all around the Outdoor Fire Pit area for a rotten egg smell. Be sure to smell close to the floor because propane gas is heavier than air and will settle on the floor.

**IF YOU SMELL A ROTTEN EGG SMELL IMMEDIATELY:**

- 1. Shut off the gas supply to the appliance.**
- 2. If odor continues, keep away from the appliance and immediately call your gas supplier or the fire dept.**

Use only your hand to push in and turn the gas control knob (never use tools). If the knob will not push in or turn by hand, DO NOT force it or try to repair it. Call a qualified service technician for assistance on the repair. Forcing or attempting to repair the knob may result in fire or explosion, serious injury, death or property damage.

**DO NOT** use this appliance if any part has been under water. Immediately call a qualified service technician to inspect the appliance and to replace any part of the control system and any gas control which has been under water.

## LIGHTING INSTRUCTIONS

### STOP - READ SAFETY INFORMATION ABOVE

- 1 Ensure the fire pit control valve as well as the propane tank valve is closed.
- 2 Wait a minimum of 5 minutes for the gas to clear out.
- 3 Slowly turn the propane tank valve counter clockwise until all the way open.  
**CAUTION: Do Not let the gas run without lighting the burner to prevent an explosion.**
- 4 Press and hold the electronic igniter to create sparks with the electrode.
- 5 Push in the gas control knob slightly and turn counter-clockwise to the "Ignite/Low" position to light the burner. Hold the gas knob pushed in for approximately 15-30 seconds to allow the safety thermocouple to get hot & open the gas valve so the fire pit will stay lit.
- 6 To increase the flame height once lit, turn the fire pit valve counter-clockwise to the "High" position.
- 7 If ignition does not occur, turn the fire pit valve clock-wise to the "Off" position and wait for 5-minutes for gas to clear out & repeat steps 4-5.

### Shutting Off The Fire Pit

1. Push in the manual gas control knob slightly and turn clockwise to the "OFF" position.
2. After the fire pit has been turned off, wait 5 minutes for gas to clear out.
3. After the fire pit has been completely shut off and is cooled down, close the propane tank valve or natural gas servicing valve to ensure no gas leaks while the unit is not in use.



## Proposition 65 Public Warning

Safe Drinking Water and Toxic Enforcement Act of 1986, commonly referred to as Proposition 65, requires the governor to publish a list of chemicals “known to the State to cause cancer, birth defects, or reproductive harm.” It also requires California business to warn the public quarterly of potential exposures to these chemicals which result from the products they use, make or distribute

The Company facilities store propane and distribute propane to wholesale and retail customers in California for various uses. Propane itself is not a listed Proposition 65 chemical. The combustion of propane in appliances, such as stoves or heating systems and vehicles using propane, creates harmful chemicals. These chemicals include carbon monoxide, benzene, formaldehyde and acetaldehyde - All chemicals known to the State to cause cancer and/or birth defects.

The Company encourages all of its customers to use propane safely. You should read and follow all use, care and manufacturer instructions for propane appliances and equipment. Proper ventilation and frequent inspection of propane appliances and equipment are highly recommended. If a gas odor is detected, contact the Company or a qualified service technician immediately.

**Notes:**

# CONVERTING YOUR FIRE PIT TO NATURAL GAS



**This Conversion should only be performed by a Qualified Service Technician or Licensed Plumber**

- MAKE SURE THAT THE GAS SUPPLY TO THE FIRE PIT (AND ANY NEARBY ELECTRICAL SOURCES/APPLIANCES) ARE SHUT OFF.**
- Carefully detach the flex line connector hose attached to the orifice holder (Figure # 1) and unscrew the orifice holder from the burner pipe (Figures #1 and # 2).
- Remove the orifice from the holder (Figure # 2 ) and replace it with the proper sized one for your gas requirement. Propane requires the smaller orifice.
- If you are converting from propane (LP) gas to natural gas, install the air shutter sleeve so that the air intake holes are closed (Figure #2). For Propane gas, remove the air shutter so that the air intake holes are open (Figure #1). After the unit is assembled for use, you are required to do a "leak check" by using a liquid **soapy** solution on all connections before placing the unit in operation.
- IT IS NECESSARY TO ATTACH THE LABEL OR RATING PLATE INCLUDED WITH THE CONVERSION KIT TO CLEARLY INDICATE THE FIELD CONVERSION.

<p align="center"><b>FIGURE 1</b></p>	<p align="center">Casual Fireside Fire Pits Are Suitable For Installation from 0 - 4,500 ft. Without Modification.</p>
<p align="center"><b>FIGURE 2</b></p>	<p>Follow steps 1 – 5 shown above. THE CONVERSION MUST BE CARRIED OUT BY A QUALIFIED SERVICE AGENCY, IN ACCORDANCE WITH THE REQUIREMENTS OF THE MANUFACTURER, PROVINCIAL OR TERRITORIAL AUTHORITIES HAVING JURISDICTION AND IN ACCORDANCE WITH THE REQUIREMENTS OF THE CAN/CGA-B149.1 OR CAN/CGA-B149.2 INSTALLATION CODES.</p> <p>After conversion follow Operating Instructions found on Page 12.</p>
<p>After The Unit Is Converted, it Must Be Tested to Verify the Inlet and Manifold pressures are as specified on Page 3. Additionally, a qualified service agency must verify that the input rate of the converted appliance match the rating listed below.</p>	

<b>MANUFACTURER'S USE ONLY QUALITY CHECK</b>		Date _____ Serial Number _____ Work Order # _____ BTU Rating <b>LP 48,000 / NG 52,000</b> Inspector _____ Leak Test _____ Burn Test _____
Model # <u>COM0595</u> Orifice Installed <u>#45 - Liquid Propane</u> Orifice Included <u>NG #30 COM0595CK</u> Air Shutter Sleeve <u>Included</u> Gas Type <u>Liquid Propane</u>		

**Model / Modèle**

5110-30RDC-E	5112-36RDK-E	5120-54BTK-E	5122-54RDK-E
5110-36RDC-E	5112-54BTD-E	5120-54RDD-E	5130-36RDC-E
5110-36RDK-E	5112-54BTK-E	5120-54RDK-E	5130-54RDD-E
5110-54BTD-E	5112-54RDD-E	5122-30RDC-E	5130-54RDK-E
5110-54BTK-E	5112-54RDK-E	5122-36RDC-E	5132-54RDD-E
5110-54RDD-E	5120-30RDC-E	5122-36RDK-E	5132-54RDK-E
5110-54RDK-E	5120-36RDC-E	5122-54BTD-E	5134-54RDD-E
5112-30RDC-E	5120-36RDK-E	5122-54BTK-E	5134-54RDK-E
5112-36RDC-E	5120-54BTD-E	5122-54RDD-E	



Report #14662-1G

Tested & Certified to  
ANSI Z21.97-2017/CSA 2.41-2017  
CGA 2.17-M91 (R2017)

BTU ÉVALUATION

Propane Liquide 48,000 / Gaz Naturel 52,000

# CASUAL FIRESIDE®

UN STANDARD MEILLEUR EN QUALITÉ ET ASPECT - FOYER EXÉRIEUR MAGNIFIQUE ET  
SANS DANGER POUR LE GAZ PROPANE ET \*NATUREL (Kit de conversion Nécessite)

Le lien ci-dessous vous mènera aux propriétaires Manuel et instructions en français où vous pouvez télécharger une copie .  
Sélectionnez le lien ci-dessous pour télécharger les instructions françaises.

<http://www.owlee.com/technical-information.aspx>

## ⚠ ATTENTION : POUR L'EXTÉRIEUR UNIQUEMENT

L'installation et l'entretien doivent être effectués par un installateur qualifié, une agence de service ou le fournisseur de gaz.



### LISEZ ATTENTIVEMENT CES INSTRUCTIONS AVANT D'INSTALLER CETTE PUIXS D'INCENDIE EXTÉRIEUR.

Si les informations contenues dans ce manuel ne sont pas suivies à la lettre, un incendie ou une explosion peut en résulter. blessures personnelles, décès ou dommages matériels.

EXIGENCES DE CODES ET D'ALIMENTATION : Lorsqu'un appareil est conçu pour un raccordement à un système de tuyauterie fixe, l'installation doit être conforme aux codes locaux ou, en l'absence de codes locaux, au "National Fuel Gas Code" (Code national du gaz, É.-U.), à ANSI Z223.1/NFPA 54, Code international du gaz, L'installation de gaz naturel et de propane codes, CSA B149.1,ou propane entreposage et de manutention Code B149.2, le cas échéant.

### ATTENTION



Une installation, un réglage, une modification, un entretien ou une maintenance incorrects de cet appareil à gaz peuvent provoquer des blessures, la mort ou des dégâts matériels. Lisez attentivement les instructions d'installation, d'utilisation et de maintenance avant d'installer ou de réparer cet appareil à gaz.

### ATTENTION



Ne stockez pas et n'utilisez pas d'essence ou d'autres liquides ou vapeurs inflammables à proximité de cet appareil ou de tout autre appareil. Une bouteille de propane liquide non connectée pour être utilisée ne doit pas être rangée à proximité de cet appareil ou de tout autre appareil.

### DANGER



#### RISQUE D'INCENDIE OU D'EXPLOSION

Si vous sentez un gaz:

1. Coupez l'alimentation en gaz de l'appareil.
2. Éteignez toute flamme nue
3. Si l'odeur persiste, quittez immédiatement la zone.
4. Après avoir quitté les lieux, appelez votre fournisseur de gaz ou le service d'incendie.

**Si ces précautions ne sont pas respectées, cela pourrait provoquer un incendie ou une explosion, pouvant causer des blessures, la mort ou des dégâts matériels.**



Cet appareil à gaz est conçu comme un «appareil surveillé». Les adultes doivent être présents lorsque l'unité est en fonctionnement / en train de brûler. **NE laissez PAS cet appareil fonctionner / brûler sans surveillance.** Si ce produit reste en fonctionnement / brûle sans surveillance, il peut provoquer des blessures graves, la mort ou des dégâts matériels.



### DANGER

#### DANGER DE MONOXYDE DE CARBONE

Cet appareil peut produire du monoxyde de carbone qui n'a pas d'odeur.

Son utilisation dans un espace clos peut vous tuer.

N'utilisez jamais cet appareil dans un espace clos tel qu'une caravane, une tente, une voiture ou à la maison.

**INSTALLATEUR** - Laissez ce manuel avec l'appareil.

**CONSOMMATEUR** - Conservez ce manuel pour référence ultérieure.



V8-100121A

# PUITS D'INCENDIE EXTERIEUR - TABLE DES MATIERES

## Table des matières

Couverture - Informations importantes sur la sécurité	1
Informations de sécurité importantes	
Dégagements minimaux aux combustibles	2
Directives de pré-installation et de préparation	3
Informations de sécurité importantes	4
Informations d'installation	
Relier le gaz au foyer	5
Informations sur le réservoir de propane	6
Emplacement des supports et liste des pièces de rechange	
Liste de médias certifiés	7
Installation de bûches de gemmes, miroirs, verre concassé et céramique	8
Installation de granules de lave	9
Guide de dépannage	10
Informations de garantie	11
Instructions d'utilisation	
Instructions d'allumage	12
Proposition 65 Avertissement public	13
Conversion en un type de gaz différent	14

## INFORMATIONS IMPORTANTES SUR LA SÉCURITÉ

### LIRE CES INSTRUCTIONS ENTIÈREMENT AVANT D'INSTALLER CE FOYER EXTÉRIEUR .

Si pas installé et utilisé correctement par ces instructions.  
ce produit peut causer des blessures et graves ou des dommages et peut annuler la garantie .

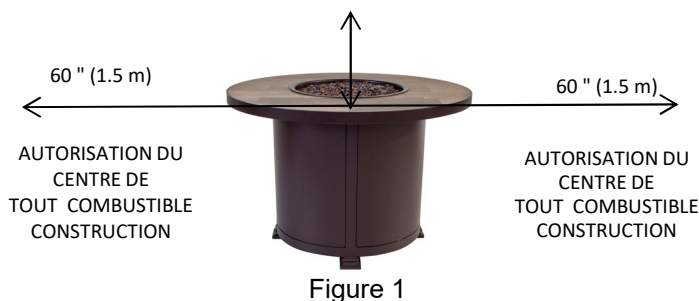
### **ATTENTION:** L'INSTALLATION D'ALIMENTATION EN GAZ DE TUYAUTERIE FIXE ET LES RÉPARATIONS DOIVENT ÊTRE EFFECTUÉES PAR TECHNICIEN PROFESSIONNEL CERTIFIÉ OU PLOMBERIE LICENCE.

Assurez-vous de comprendre toutes les précautions de sécurité et les avertissements contenus dans ce manuel .  
Si vous avez des questions , s'il vous plaît contacter O.W. Lee au (800) 776-9533

- A. VÉRIFIEZ LES CODES DE CONSTRUCTION DES ÉTATS ET DES LOCAUX AFIN DE DÉTERMINER SI LA Puits D'INCENDIE EXTÉRIEURE EST AUTORISÉE VOTRE LOCALITÉ AVANT L'INSTALLATION.**
- B. POUR UTILISATION EXTÉRIEURE SEULEMENT. CET APPAREIL DOIT ÊTRE INSTALLÉ AU MOINS 60 PO DU CENTRE DU BRÛLEUR À TOUT MURS, PLAFONDS OU MATÉRIAUX COMBUSTIBLES.**
- C. LORSQUE VOUS ÉTEIGNEZ L'APPAREIL, VEILLEZ À COMMANDER LA VANNE DE CONTRÔLE DU Puits D'INCENDIE À LA POSITION TOTALE DE L'ALLUMAGE ET DE FERMER LA VANNE SUR LE RÉSERVOIR DE PROPANE OU LA CONDUITE D'ALIMENTATION EN GAZ.**
- D. AVERTISSEMENT: L'EMPOISONNEMENT AU MONOXYDE DE CARBONE PEUT CAUSER LA MORT. NE MODIFIEZ PAS CETTE Puits D'INCENDIE POUR PLEIN AIR OU SES COMMANDES, SAUF CELLES PRÉVUES DANS CE MANUEL.**
- E. UNE INSTALLATION OU UNE UTILISATION INCORRECTE OU UTILISÉE DE VOTRE Puits D'INCENDIE EXTÉRIEURE PEUT CAUSER DES BLESSURES GRAVES, LA MORT OU DES DOMMAGES À LA PROPRIÉTÉ EN CAS D'INCENDIE, DE BRÛLURES, D'EXPLOSIONS OU D'EMPOISONNEMENT AU MONOXYDE DE CARBONE.**

## LIQUIDATION MINIMUM DE COMBUSTIBLES

**NOTE**  
MINIMUM DE 60 " ( 1,5 m ) Dégagement au-dessus LA Foyer extérieur  
SI INSTALLÉ SOUS PLAFOND OU OVERHANG



Parois : 60 " ( 1,5 m ) du centre de l'unité ( Figure 1 )  
Plafond: 60 " ( 1,5 m ) de haut de l'unité au plafond ou faux  
Revêtement de sol : 0 " - Peut être installé sur le pont , la dalle , le plancher , etc.

Les dimensions indiquées dans la figure 1 sont MINIMUM DÉGAGEMENTS à maintenir lorsque vous installez ce Fire Pit Outdoor . IL DOIT Y AVOIR AU MOINS 60 " de jeu du centre de l'unité à tout combustible des parois latérales , des plafonds , ou d'un matériau .



## MESURES DE SÉCURITÉ IMPORTANTES

- A. Avant d'installer ce foyer extérieur, consulter « Dégagement minimum des combustibles » à la page 2. Les **DÉGAGEMENTS MINIMA** doivent être maintenus lors de l'installation de ce foyer. **IL DOIT Y AVOIR AU MOINS 1,50 m (60 po)** du centre du brûleur à toute paroi combustible.
- B. Le foyer extérieur est destiné à un usage extérieur uniquement. **NE PAS** installer ou utiliser cet appareil à l'intérieur d'un bâtiment, garage ou autre endroit fermé, y compris dans des véhicules récréatifs et/ou bateaux. **Cet appareil doit être installé de telle sorte qu'une ventilation soit constamment maintenue sans obstruction et sous toutes conditions météorologiques**
- C. **VÉRIFIER LE TYPE DE GAZ** (naturel ou propane) : L'alimentation en gaz envisagée pourrait ne pas être celle indiquée sur la plaque signalétique du foyer. **CE FOYER EXTÉRIEUR EST CONSTRUIT POUR UN EMPLOI AVEC DU GAZ PROPANE.** Si l'alimentation en gaz est différente ou si un **changement pour le gaz naturel est désiré, il FAUT faire convertir le foyer (méthode décrite à la page 8) pour le type de gaz souhaité, par un installateur professionnel et qualifié.** Dans le doute, demander de l'aide au concessionnaire.
- D. **NE PAS UTILISER L'APPAREIL SI LA PRESSION DU GAZ EST INFÉRIEURE AU MINIMUM EXIGÉ OU DÉPASSE LE MAXIMUM.**
- E. **POUR LE GAZ NATUREL** : La pression minimale d'admission du gaz pour les besoins de l'ajustement de l'entrée est de **127 mm (5 pouces)** de colonne d'eau (WC, "Water Column") et la pression maximale d'admission est de **254 mm (10 pouces) WC.**  
**POUR LE PROPANE** : La pression minimale d'admission du gaz pour les besoins de l'ajustement de l'entrée est de **203 mm (8 pouces) WC** et la pression maximale d'admission est de **330 mm (13 pouces) WC.**  
**NE PAS INSTALLER CET APPAREIL SI LA PRESSION MINIMALE N'EST PAS DISPONIBLE OU SI LA PRESSION MAXIMALE EST DÉPASSÉE.**  
**Exigences de la pression d'admission** - Propane Liquide 241.3mm (9.5 pouces) Gaz Natural 63.5mm (2.5 pouces)
- F. Le système de tuyauterie du gaz doit être dimensionné de sorte à fournir la pression minimale d'admission au débit maximum (BTU/hr). Une perte excessive de pression se produira si le tuyau est trop petit ou trop long.
- G. Casual Fireside foyers sont adaptés pour l'installation à partir de 0 - 4500 m sans modification.
- H. Si le foyer extérieur est raccordé au gaz naturel, sa valve principale de gaz doit être déconnectée du système de tuyauterie d'alimentation en gaz pendant tout essai de pression de ce système à des pressions d'essai dépassant 3,5 k Pa (½ psi).
- I. Si le foyer extérieur est raccordé au gaz naturel, il doit être isolé du système de tuyauterie d'alimentation en gaz en fermant sa valve de fermeture manuelle individuelle pendant tout essai de pression du système de tuyauterie d'alimentation en gaz à des pressions inférieures ou égales à 3,5 kPa (½ psi).
- J. **REMARQUE POUR L'INSTALLATEUR** : Cet appareil doit être installé de façon à pouvoir l'enlever pour tout entretien ultérieur.
- K. **EXIGENCES POUR LA TUYAUTERIE D'ALIMENTATION**  
N'employer que des pâtes à joint qui résistent à tous types de gaz sur tous les joints de tuyaux mâles. Prendre soin de bien serrer chaque joint. **Ne pas employer de pâte à joint pour connecter des raccords évasés.**
- L. **Détendeur propane tuyau de raccordement** : Toujours inspecter l'état du tuyau détendeur propane avant chaque opération. Des signes d'abrasion excessive doit être remplacé. Contactez votre revendeur local pour pièce de rechange #COM0589
- M. **Location détendeur tuyau (lorsqu'il est utilisé)**: le tuyau du régulateur propane se trouve dans le panneau de porte de fosse de feu. Lorsqu'il est installé, assurez-vous que le tuyau est fixé à l'intérieur de l'appareil et ne pas toucher le
- N. **"Remarque: l'utilisation d'un dessus, d'un support et / ou de composants tiers pour un foyer d'incendie annulera la certification LABTEST et la garantie O.W Lee. "**
- O. **NOTE DE SÉCURITÉ**: Les foyers raccordés à une conduite de gaz canalisée fixe nécessitent un deuxième robinet d'arrêt de gaz. La vanne doit être maintenue en position d'arrêt lorsque le foyer n'est pas utilisé. La soupape secondaire ferme l'alimentation en gaz du foyer, ce qui permet son entretien et ses réparations.

## INFORMATIONS IMPORTANTES SUR LA SÉCURITÉ

- A. **AVERTISSEMENT:** LES JEUNES ENFANTS DOIVENT TOUJOURS ÊTRE SOIGNEUSEMENT SUPERVISÉS LORSQU'ILS SE TROUVENT DANS LA ZONE DE CET APPAREIL ET QU'IL EST EN UTILISATION. DES BLESSURES GRAVES OU LA MORT PEUVENT SURVENIR
- B. **AVERTISSEMENT:** NE PAS s'asseoir ou placer des parties du corps ou des matériaux combustibles, y compris les cheveux, près de la flamme du puits de feu.
- C. **AVERTISSEMENT:** Les enfants et les adultes doivent être avertis du risque de températures de surface élevées et doivent rester à l'écart pour éviter les brûlures ou l'inflammation des vêtements.
- D. **"AVERTISSEMENT:** chaque fois que vous utilisez votre foyer, assurez-vous que tous les objets inflammables tels que débris de jardin, bois, etc., ainsi que tout objet liquide inflammable ou produisant de la vapeur, tel que l'essence, etc.  
..
- E. **AVERTISSEMENT:** CHAUD PENDANT LE FONCTIONNEMENT ET AU MOINS UNE SEMAINE SUIVANT LE FONCTIONNEMENT.
- F. **AVERTISSEMENT:** Les enfants doivent être soigneusement surveillés lorsqu'ils se trouvent à proximité de cet appareil. Des blessures graves peuvent survenir.
- G. **AVERTISSEMENT:** Ne jetez PAS de déchets, de papier, de plastique ou tout autre matériau inflammable dans votre foyer.
- H. **AVERTISSEMENT:** NE PAS laisser en fonctionnement sans surveillance.
- I. **AVERTISSEMENT:** NE PAS utiliser ce foyer sous la pluie
- J. **AVERTISSEMENT:** NE BRÛLEZ PAS DE COMBUSTIBLE SOLIDE DANS CETTE PUIITS.
- K. **AVERTISSEMENT:** "Une installation, un réglage, une modification, un entretien ou une maintenance incorrects peuvent causer des blessures ou des dommages matériels. Lisez attentivement les instructions d'installation, d'utilisation et de maintenance avant d'installer ou de réparer cet appareil".
- L. **NE PAS** continuer à utiliser votre FIRE PIT si vous sentez une odeur inhabituelle ou si vous avez des maux de tête, des nausées ou des vertiges.
- M. **NE stockez PAS** de matières combustibles, d'essence ou d'autres vapeurs / liquides inflammables à moins de 60 pouces de votre foyer. Prévoyez un dégagement suffisant pour l'entretien et le fonctionnement.
- N. **AVERTISSEMENT:** Les vêtements ou autres matériaux inflammables ne doivent pas être suspendus à l'appareil ni placés sur ou à proximité de l'appareil.
- O. **NE PAS utiliser cet appareil si une partie quelconque de celle-ci a été submergée.** Appelez un technicien de service qualifié pour inspecter l'appareil et pour remplacer toute pièce du système de commande et toute pièce de contrôle du gaz qui aurait été sous l'eau avant de l'utiliser.
- P. **L'installation et les réparations doivent être effectuées par un technicien qualifié et agréé.** Ouvrez la porte de l'appareil pour pouvoir y
- Q. **L'installation et les réparations doivent être effectuées par un technicien qualifié.** L'appareil doit être inspecté avant utilisation et au moins une fois par an par un technicien qualifié. Un nettoyage plus fréquent peut être nécessaire si nécessaire. Il est impératif que le compartiment de commande, les brûleurs et les passages d'air de circulation de l'appareil restent propres.
- R. Le brûleur doit être remplacé avant la mise en marche de l'appareil s'il est évident que le brûleur est endommagé. Brûleur de rechange n ° COM0595B fabriqué par O.W. Lee Company, 1206 Fifth Street, Comfort TX 78013
- S. Vérifiez périodiquement la flamme du brûleur pour vous assurer que sa hauteur ou sa coloration n'a pas considérablement changé depuis sa dernière utilisation. Toute modification importante de la hauteur ou de la coloration de la flamme indique que l'unité doit être inspectée et entretenue ou nettoyée si nécessaire afin de maintenir un fonctionnement sûr, ainsi que la hauteur et la coloration de la flamme.
- T. Nettoyage de l'appareil - Enlevez les pierres de lave ou de verre, nettoyez le brûleur à l'eau et au savon et séchez soigneusement. Nettoyer les pierres de lave ou les morceaux de verre avec de l'eau et bien les sécher avant de les allumer. Retirez toutes les toiles d'araignées de l'intérieur de l'appareil.

# CONNEXION D'UN RESERVOIR DE PROPANE AU CYLINDRE DE GAZ LP

## IMPORTANT

### AVANT DE PROCÉDER, LISEZ ATTENTIVEMENT TOUT L'IMPORTANT INFORMATIONS DE SÉCURITÉ DANS CE MANUEL D'UTILISATEUR

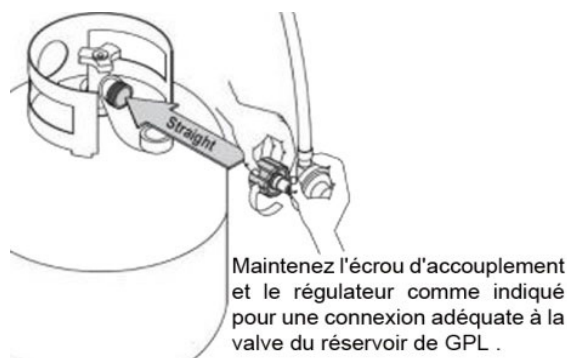
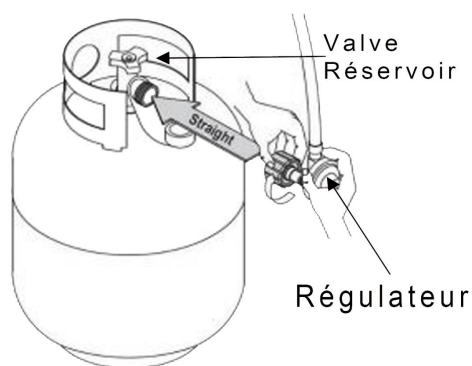
- A. **AVERTISSEMENTS IMPORTANTS ET CONSIGNES DE SÉCURITÉ (Pages 1, 2, 3, 4)**
- B. **Dégagement minimum aux combustibles (page 2)**



#### INFORMATIONS SUR LE CYLINDRE DE GAZ LP (réservoir de propane):

1. Taille du cylindre de propane - Capacité: 20 lb (9 kg) ou 4,7 gallons (17,8 litres) de propane  
**NE PAS TROP REMPLIR**
2. La ou les bouteilles de gaz LP à utiliser doivent être construites et marquées conformément aux directives du département américain de la Transport (D.O.T.) Spécifications des bouteilles de gaz LP ou norme sur les bouteilles, sphères et tubes pour le transport des marchandises dangereuses et Commission, CAN / CSA-B339, selon le cas.
  - Utilisez des bouteilles agréées pour votre région, telles que «Blue Rhino» ou «AmeriGas» avec cet appareil. D'autres bouteilles peuvent être acceptées pour une utilisation avec l'appareil à condition qu'elles puissent être montées sur l'appareil à l'aide du dispositif de retenue de bouteille fourni. (Voir l'illustration ci-dessus.)
  - La bouteille de gaz LP à utiliser doit être munie d'un dispositif de prévention de trop-plein (OPD) répertorié et d'un dispositif de connexion de bouteille compatible avec le raccordement de l'appareil.
3. Assurez-vous que l'appareil n'est PAS utilisé et fermez le robinet de gaz au robinet d'alimentation de la bouteille de gaz LP.
4. La bouteille de gaz LP doit être débranchée lorsque l'appareil n'est pas utilisé.
5. Les bouteilles de gaz LP doivent être entreposées à l'extérieur dans un endroit bien ventilé, hors de la portée des enfants et à une distance d'au moins 60 pouces du foyer. Les capuchons de vanne filetés doivent être bien installés dans les bouteilles déconnectées et ne doivent pas être entreposés dans un bâtiment, un garage ou un autre espace clos.
6. La bouteille de gaz GPL doit reposer sur la base inférieure de la bouteille conçue pour permettre un retrait approprié de la vapeur.

#### AVANT L'INSTALLATION, ASSUREZ-VOUS QUE LA SOUPAPE DU CYLINDRE DE GAZ LP-GAZ / PROPANE EST FERMÉE.



Lorsque vous connectez le régulateur à la vanne du réservoir, assurez-vous que le couple ne se croise pas. Le fil croisé peut provoquer une fuite.

Allumez le gaz au système de brûleur et testez les fuites avec une solution d'eau savonneuse. (Ne jamais utiliser une flamme nue pour les tests). Si une fuite est détectée, serrez le connecteur jusqu'à ce qu'aucune fuite ne soit détectée. Le tuyau et le brûleur doivent être inspectés avant chaque utilisation de l'appareil. Le tuyau doit être remplacé avant la mise en service de l'appareil en cas d'abrasion ou d'usure excessive, ou si le tuyau est endommagé. Le tuyau de remplacement doit être spécifié par le fabricant.



## **DANGER - GAZ INFLAMMABLE SOUS PRESSION**

**LA FUITE DE LP-GAZ PEUT CAUSER UN INCENDIE OU UNE EXPLOSION SI IGNITE  
CAUSANT DES BLESSURES CORPORELLES GRAVES OU LA MORT.  
CONTACTEZ LE FOURNISSEUR DE GAZ LP POUR RÉPARATIONS OU ÉLIMINATION DES  
CE CYLINDRE OU LE LP-GAZ INUTILISÉ.**



## **AVERTISSEMENT - POUR USAGE EXTÉRIEUR SEULEMENT \***

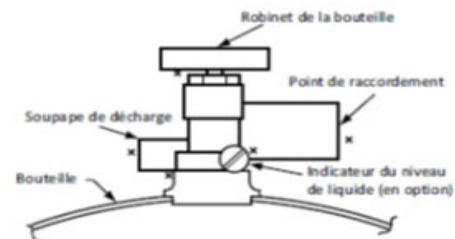
**NE PAS UTILISER OU CONSERVER DE CYLINDRE DANS UN BATIMENT, GARAGE  
OU ZONE FERMÉE.**

### **ATTENTION**

- Connaître l'odeur du gaz de pétrole liquéfié. Si vous entendez, voyez ou sentez une fuite de GPL, éloignez immédiatement tout le monde de la bouteille et appelez le service d'incendie. N'essayez pas de réparer.
- Avertissez votre fournisseur de gaz LP de Assurez-vous que le cylindre est purgé de l'air emprisonné avant le premier remplissage. Veillez à ne pas trop remplir le cylindre. Assurez-vous que la date de requalification des bouteilles est vérifiée.
- Le gaz de pétrole liquéfié est plus lourd que l'air et peut se déposer dans les endroits bas tout en se dissipant.
- Le contact avec le liquide contenu dans la bouteille provoquera des brûlures de la peau dues au gel
- Ne laissez pas les enfants altérer ou jouer avec le cylindre.
- Lorsque vous n'êtes pas branché, maintenez le robinet de la bouteille fermé. Les appareils autonomes doivent être limités à une bouteille de capacité de 30 lb ou moins.
- Ne pas utiliser, stocker ou transporter la bouteille dans un endroit où elle serait exposée à des températures élevées. La soupape de décharge peut s'ouvrir et permettre à une grande quantité de gaz inflammable de s'échapper.
- Lors du transport, garder le cylindre bien en position verticale avec le robinet de la bouteille fermé.

### **QUAND CONNEXION POUR UTILISATION:**

- Utilisez uniquement en conformité avec les codes applicables.
- Read and follow the manufacturer's instructions.
- Consultez les instructions du fabricant concernant le raccordement du cylindre fourni avec votre appareil.
- Assurez-vous que l'évent du régulateur ne pointe pas vers le haut.
- Fermez toutes les vannes de l'appareil.
- Ne vérifiez pas les fuites de gaz avec une allumette ou une flamme nue. Appliquez de l'eau savonneuse sur les zones marquées "X". Ouvrir la valve du cylindre. Si une bulle apparaît, fermez la vanne et faites-le réparer par le technicien du gaz propane. Vérifiez également les robinets et les raccords de l'appareil pour vous assurer qu'ils ne fuient pas avant d'allumer l'appareil.
- Appareil (s) léger (s) suivant les instructions du fabricant.
- Lorsque l'appareil n'est pas utilisé, maintenez le robinet de la bouteille fermé.



**NE RETIREZ PAS, NE DÉSPACE PAS ET  
NE PAS OBLITER CETTE ÉTIQUETTE  
\* SAUF AUTORISÉ PAR ANSI / NFPA 58.**

**DANGER!** Ne rangez pas une bouteille de propane de recharge sous ou à proximité d'un barbecue ou de toute autre source de chaleur.  
**Ne remplissez jamais une bouteille de GPL à plus de 80%: un incendie pouvant provoquer des blessures graves, voire mortelles.**

## DIRECTIVES D'INSTALLATION DES GRANULES DE LAVE ET CRISTAUX DE VERRE

- A. Inspecter le carton avec soin pour s'assurer qu'il n'a pas été endommagé durant le transport. Si des pièces manquent ou sont endommagées, appeler le concessionnaire. *Ne pas essayer* d'installer l'appareil à moins que toutes les pièces ne soient en bon état.
- B. Une installation correcte est cruciale pour le fonctionnement sans danger du foyer extérieur.
- C. Par suite de températures élevées, le foyer doit être placé hors des zones de passage et loin des combustibles.

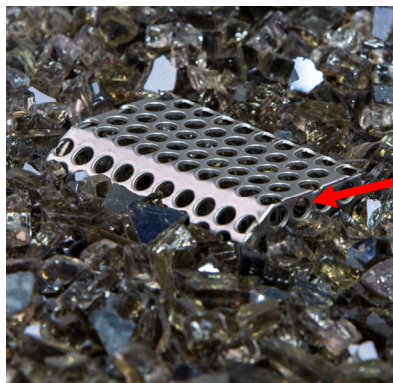
### LISTE DES PIÈCES

#### Pièces de rechange disponibles chez votre revendeur local

**LES PIÈCES DE REMPLACEMENT ET LES SUPPORTS SONT DISPONIBLES CHEZ VOTRE CONCESSIONNAIRE LOCAL**

- |  |  |
|--|--|
| n° 1 X-Burner en acier inoxydable                    | n° 10 Thermocouple # 10  |
| n° 2 Tuyau de régulateur de propane de 4'            | n° 12 Allumeur électronique  |
| n° 3 Bouton de contrôle On/Off (marche/arrêt)        | n° 13 Électrode d'étincelle  |
| n° 4 Bras De Contrôle Soupape                        | n° 14 Granules de lave   |
| n° 5 Ligne Flex 22" Chuchotement Silencieux          | n° 15 Kit de verre Pebble - Taille 3/4" - 1/2" (9-19mm)                    |
| n° 6 Connecteur de bouteille de propane              | n° 16 Trousse de verre coupe-feu concassée - Taille 1/2" - 3/4" (12-20 mm) |
| n° 7 Orifice de propane                              | n° 17 Kit de verre miroir - Taille 1/4" - (6.35mm)                         |
| n° 8 Kit de conversion de gaz propane en gaz naturel |  |
| n° 9 Écran de protection                             |  |

### PLACEMENT DE SUPPORTS D'ÉCRAN DE PROTECTION

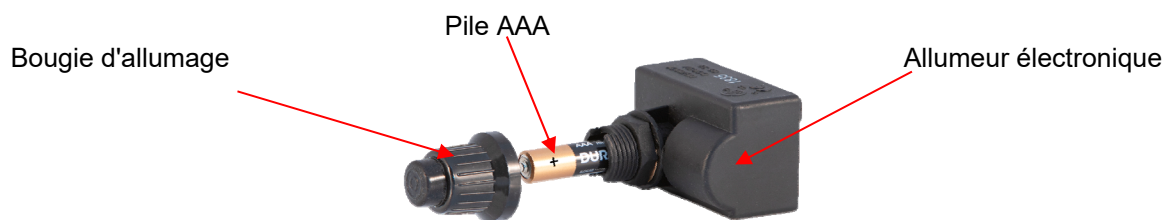


Dégagement Minimum

**Pour assurer une circulation d'air adéquate, l'écran de protection doit être dégagé des supports sur la surface et sur les quatre côtés, comme indiqué ci-dessus.**

#### *Instructions d'installation et de remplacement de la batterie d'allumeur électronique*

Retirez le capuchon de l'allumeur électronique en le tournant dans le sens contraire des aiguilles d'une montre. Faites glisser la pile AAA dans son logement, assurez-vous que le côté positif de la batterie vers l'extérieur. Remettez le capuchon de l'allumeur électronique en place en le tournant dans le sens des aiguilles d'une montre.



## PLACEMENT DE SUPPORTS EN VERRE GEM, MIROIR ET BROYÉ

- A. Inspectez soigneusement le carton pour vous assurer qu'il n'a pas été endommagé lors de l'expédition. Si des pièces manquent ou sont endommagées, contactez votre revendeur. N'essayez pas d'installer l'appareil si toutes les pièces ne sont pas en bon état.
- B. Une installation correcte est cruciale pour la performance en toute sécurité de votre foyer extérieur.
- C. **En raison des températures élevées**, le foyer doit être situé en dehors des zones de circulation et à l'écart des matériaux combustibles.

## PLACEMENT DE SUPPORTS EN VERRE GEM, MIROIR ET BROYÉ

Versez le support en miroir, la pierre précieuse ou le verre pilé dans le Brûleur de foyer extérieur afin que le brûleur soit couvert.

**REMARQUE: Voir page 7 pour le dégagement du support d'écran protecteur.**

(Voir les figures 1 et 2)

**Figure 1.**

Versez le premier sac du support en verre dans le support de brûleur.



**Figure 2.**

Versez les sacs supplémentaires de média sur le support du brûleur. Étalez le support uniformément en couvrant le brûleur.



Écran protecteur

## PLACEMENT DE SUPPORTS DE JOURNAUX EN CÉRAMIQUE

Versez les granules de lave dans le foyer extérieur afin que le brûleur est complètement couvre le brûleur de 1/2 "et se propage uniformément.

(Voir les figures 1, 2 et 3)

**Figure 1.**

Versez le premier sac de granulés de lave dans le support du brûleur.



**Figure 2.**

Versez le sac supplémentaire de granulés de lave sur le support du brûleur. Étalez le support uniformément en couvrant le brûleur.



**ATTENTION: RISQUE DE BRÛLURE. GEM, VERRE MIROIR ET BROYÉ ET GRANULES DE LAVE**

**Restera chaud pendant un certain temps après utilisation.**

VOUS DEVEZ MAINTENIR LA DISPOSITION COMME INDIQUÉE POUR ASSURER LE BON FONCTIONNEMENT DE VOTRE PUIT. SI VOUS DEVEZ REPOSER TOUT MATÉRIAU POUR MAINTENIR LA DISPOSITION APPROPRIÉE, UTILISEZ LA CHALEUR GANTS RÉSISTANTS OU PERMETTRE AU MATÉRIAU LE TEMPS DE REFROIDIR AVANT DE LE MANIPULER.

**ATTENTION:** les granules de lave utilisées dans un foyer sont poreuses et chauffées à la température de fonctionnement normale peut provoquer une expansion des gaz piégés ou de l'humidité et provoquer un "éclatement" et un "lancement" à pourrait causer des blessures ou des dommages matériels. Laissez les granules de lave sécher complètement après avoir été mouillées avant de les allumer et en utilisant le foyer.

# PLACEMENT DE SUPPORTS DE JOURNAUX EN CÉRAMIQUE

## Placement de la roche en céramique (Voir les figures 1, 2 et 3)

**Figure 1,**  
Placez le plus gros rondin en diagonale centré du brûleur.



**Figure 2,**  
S'il vous plaît les trois plus gros journaux comme désiré en utilisant le plus grand journal comme support.



**Figure 3,**  
Placez la balance des journaux comme vous le souhaitez. Assurez-vous de partir assez d'espace pour une bonne circulation d'air.



**Remarque: voir page 7 pour le dégagement de l'écran protecteur**

**ATTENTION: DANGER D'URNE. GRANULES DE LAVE, BÛCHES DE CÉRAMIQUE**

Restera chaud pendant un certain temps après utilisation..

VOUS DEVEZ MAINTENIR LA DISPOSITION COMME INDIQUÉE POUR ASSURER LE BON FONCTIONNEMENT DE VOTRE PUIXS. SI VOUS DEVEZ REPOSER TOUT MATÉRIAU POUR MAINTENIR LA DISPOSITION APPROPRIÉE, UTILISEZ LA CHALEUR GANTS RÉSIDANTS OU PERMETTRE AU MATÉRIEL UN TEMPS APPROPRIÉ DE SE REFROIDIR AVANT MANIPULATION.

**ATTENTION:** les granules de lave utilisées dans un foyer sont poreuses et chauffées à la température de fonctionnement normale peut provoquer une expansion des gaz piégés ou de l'humidité et provoquer un "éclatement" et un "lancement" à pourrait causer des blessures ou des dommages matériels. Laissez les granules de lave sécher complètement après avoir été mouillées avant de les allumer et en utilisant le foyer.

# GUIDE DE DÉPANNAGE

PROBLÈME	CAUSE POSSIBLE	SOLUTION	NOTES	
Réservoir de propane Ne remplit pas	Réservoir de propane n'a pas été purgé correctement	Remettre le réservoir à une station de propane autorisée et re- purger le réservoir de propane .	Le processus de purge nécessite que l'air soit retiré de la bouteille de gaz avant le premier remplissage	
	La soupape à flotteur DPO sur le réservoir de propane a été activé , la fermeture de la vanne et ne permettant pas le réservoir à remplir.	Fixez le régulateur à la bouteille de propane , tournez la vanne de commande pendant quelques secondes pour réinitialiser la valve OPD float .	La soupape à flotteur OPD est un dispositif de sécurité qui est activé lorsque le réservoir de propane a été rempli trop rapidement.	
Vous sentez le propane ou une odeur d'oeufs pourris  <b>Immédiatement Stop!</b> <b>Voir les instructions à la page 1</b>	Vanne de régulation ne se ferme pas complètement.	Pour fermer la vanne , pousser la soupape de commande légèrement pour déverrouiller et tourner à droite ( sens horaire ) complètement	La position extrême droite sur la vanne de commande est en position d'arrêt .	
	Le régulateur n'a pas été correctement fixé au réservoir de propane .	Déconnecter le régulateur et le reconnecter correctement au réservoir de propane.	Le régulateur doit être bien serrée et entièrement à la bouteille de propane pour éviter les fuites de propane et de fournir la bonne quantité de propane.	
Problèmes Flame : Aucune flamme Flamme intermittent Low Flame	Le réservoir n'a pas été purgé correctement, il contient un mélange d' air et de propane . Le résultat est la flamme intermittente , ou d'une flamme extinguishes dans un court laps de temps.	Brûler le propane restant et re- purger le réservoir	Le procédé de purge requiert que l'air soit retiré de la bouteille de gaz au cours de la première remplissage afin d'assurer une efficacité maximale. Consultez votre revendeur local autorisé propane.	
	Dans des températures plus fraîches , le propane liquide ne convertit pas assez rapidement au gaz provoquant donc le réservoir de geler à l'extérieur.	Activer la soupape de commande à la position basse où l'écoulement est pas élevé.		
	Réglage trop faible flamme .	Pour augmenter la flamme , Tournez la vanne de commande dans le sens horaire à la position 12 heures pour obtenir le montant maximum de BTU .		
	Réglage trop élevé de la flamme .	Pour abaisser la flamme , Tournez la vanne de commande dans le sens horaire entre 12 heures et la position d'un quart de tour vers la position basse et fixer un montant inférieur de BTU .		
	Les araignées peuvent avoir créé des réseaux ou des insectes peuvent avoir créé des nids à l'intérieur du venturi ou orifice.	Assurez-vous que le foyer ne soit pas l'utilisation est et n'a pas été utilisé récemment et l'unité est froide au toucher afin de ne pas se brûler . Assurez-vous que la vanne de commande est en position de hors . Fermez le robinet de la bouteille de propane ou la vanne de la conduite d'alimentation de la tuyauterie fixe . Voir page 12 de ce manuel sur la devise Your Fire Pit à un autre type de gaz sur la façon d' accéder au venturi et l'orifice . Insérez un petit fil dans le venturi et orifices des trous pour dégager le passage libre des toiles d'araignées ou d'autres débris . Assurez-vous de tout remettre correctement lorsque vous avez terminé pour le fonctionnement du foyer adéquat et la sécurité .		Ceci est un problème commun lorsque le foyer n'a pas été utilisé pendant une longue période de temps .
Flamme faible ou excessive Utilisation de gaz naturel	La colonne d'eau peut ne pas avoir été correctement réglé .	Contactez votre plombier local ou technologie certifiée pour l'assistance .		
Fire Pit Wobbles	Dalle de ciment ou de l'utilisation de la pierre naturelle ne peut pas être complètement même .	Facultatif patins à fosse de feu réglable sont disponibles auprès de votre revendeur local .	Patins en option sont parfaits pour les zones où la pente de drainage pour niveler un foyer .	

## CARE SUPPLÉMENTAIRE

**NE PAS:** retirer le vent en verre gardes jusqu'à ce qu'il soit complètement refroidi , environ 1/2 heure. Vérifiez pour être sûr que tous les raccords de connexion de garde de verre ne sont pas venus en vrac après le processus de refroidissement .

**NE PAS soulever le pare-vent en verre jusqu'à ce que le matériel des accessoires de raccordement a été vérifiée et est toujours sécurisé aux gardes de verre.** Connecteurs de verre peuvent avoir été lâche après utilisation. Assurez-vous que tous les connecteurs de verre sont sécurisés après chaque utilisation du pare-vent en verre ..

**Nettoyer** le vent en verre gardes seulement après avoir complètement froid au toucher , environ 45 minutes après l'utilisation , avec de l'eau et de vinaigre blanc ou de mélange disponible dans le commerce nettoyant pour vitres sans traces et un chiffon doux . **NE PAS** toucher le verre vent garde pendant 30-45 minutes après l'utilisation . **Ce sera chaud.**

**Fire Pit Base** - Rust infiltration et ou l'oxydation peut se produire dans certaines crevasses . La zone peut être facilement réparé en utilisant une brosse de détails et ou du papier de verre grain fin . Une fois que le sont est clairement l'infiltration de la rouille ou l'oxydation , suivez en essuyant propre et l'application de retouche pour sceller la crevasse . Contactez votre revendeur local pour le stylo ou d'un aérosol de retouche correspondant.

**Martelé Hauts de cuivre** - Utilisation d'un vernis en acier inoxydable aidera à protéger et garder le haut agréable à regarder . Remarque: Utilisez toujours des montagnes lors de la définition des boissons et des aliments ou sur le dessus. Renserver les boissons acides et de la nourriture peut décolorer la main patine appliquée . Si la patine être enlevée avec des éléments acides, la zone foncera au fil du temps.

**Porcelaine Table Tops** - Nettoyer avec un savon doux et de l'eau . Rincer à l'eau propre pour enlever tous les résidus de savon. Remarque: Le coulis est fabriqué à partir d'une résine époxy résistante extérieure qui n'a pas besoin d'être scellé .



# INFORMATIONS DE GARANTIE

**Remarque:** Toutes les garanties sont applicables au propriétaire d'origine seulement, et commencent à la date de l'achat. Une preuve d'achat est requise avec toutes les réclamations. Bordure Votre cadre OW Lee est livré avec une garantie limitée structurelle vingt (20) ans lorsqu'il est bien entretenu dans un usage domestique ordinaire. O W Lee, à l'usine de réparer ou de remplacer les meubles OW Lee qui a échoué structurellement pendant une utilisation normale et un entretien régulier.

**Fire Pit Base** - Votre cadre OW Lee is Livré avec juin garantie limitée structurelle vingt (20) ans lorsqu'il is bien entretenu Dans un domestique d'usage ordinaire. OW 1Lee, à l'usine de Réparer Ou de les meubles Remplacer OW Lee Qui a Échoué pendentif utilisation structurellement juin normale et entretien non régulier.

**Powder Coat** - OW Lee offre une garantie limitée pour les cadres contre des cloques, desquamation, ou la décoloration de la finition du cadre d'une utilisation normale et un entretien approprié, à l'exclusion Oxford blanc sur finitions en fer cinq (5) ans. OW Lee sera, au choix de l'usine, la finition ou remplacer vos meubles OW Lee.

Si ce qui précède se produit dans une période de cinq ans à compter de la date d'achat, rouille occasionnelle infiltration dans les crevasses et les surfaces inachevées cachées inhérente à certains modèles en fer forgé ornées est considéré comme une fonction de soins et d'entretien et n'est pas considéré comme un échec d'arrivée. Garder la garantie, les soins et l'entretien régulier est nécessaire. Des précautions supplémentaires et la maintenance est nécessaire dans les zones côtières.

**Cast Tops en aluminium** - O.W. Lee offre une garantie de cinq (5) de structure métallique limitée d'un an sur ses coulées / foyer en métal et dessus de table. Pour conserver sa garantie, retoucher les rayures ou les puces. OW Lee, à l'usine de réparer ou de remplacer toute table trouvé défectueux lors de cette garantie période. Un entretien régulier doit être exercé comme indiqué dans les instructions d'entretien. Dans le cas où le style de meubles, finition du cadre, du tissu ou de la table a été abandonnée, OW Lee remplacera le produit avec un article similaire.

**Tops en porcelaine** - OW Lee offre une garantie limitée de cinq (5) ans sur tous Porcelaine en tête de la date de livraison. Cette garantie limitée couvre la fabrication et l'intégrité structurelle de la partie supérieure. Les échantillons affichés ou fournis aux clients sont une représentation de cette couleur en série et sont pas explicite ou implicite d'être identiques. Carreaux de porcelaine sont fabriqués pour imiter la pierre naturelle. Un certain déséquilibre dans la surface de dessus de table est considéré comme normal. OW Lee sera, à l'usine de réparer ou de remplacer toute table trouvé défectueux pendant cette période de garantie. Ordinaire la maintenance doit être exercée comme indiqué dans les instructions d'entretien.

**Authentic Hammered Copper Tops** - OW Lee offers a two (2) year limited warranty on all authentic hammered copper tops from date of delivery. This limited warranty covers the workmanship and structural integrity of the top. The uniqueness of this of the natural materials rests in that no two pieces are ever alike. OW Lee will, at factory option, repair or replace any tabletop found to be defective during this warranty period. Regular maintenance must be exercised as set forth in the care instructions.

**Composant Parties Pit Fire** - O.W. Lee offre une garantie limitée de deux (2) ans sur tous les composants du brûleur en utilisation normale et appropriée entretien. OW Lee sera, à l'usine de réparer ou de remplacer tout brûleur extérieur foyer trouvé défectueux pendant cette période de garantie. Un entretien régulier doit être exercé selon dans le manuel du propriétaire. Pour plus d'informations, consultez [www.owlee.com](http://www.owlee.com).

## Articles non couverts par la garantie (Résidentiel)

- Cette garantie limitée ne couvre pas les dommages causés par les frais d'expédition, les accidents, la décoloration, la coloration, l'altération naturelle, une mauvaise utilisation, modifications ou réparations. Aucune autre personne est autorisée à assumer la responsabilité au nom de OW Lee, et en aucun cas OW Lee être responsable de tout dommages contributive ou ultérieure liée à la marchandise achetée d'OW Lee.
  - Toute défaillance causée par un usage abusif ou d'abus.
  - Infiltration de rouille ou des saignements des crevasses ou des surfaces cachées, non -finis inhérents à certains modèles en fer forgé ornées
  - Rouille et / ou oxydation des cadres résultant des métaux exposés qui ont été rayés, ébréchés ou maintenu comme indiqué dans les instructions d'entretien et de maintenance;
  - Fading normale de finition du cadre.
  - Les dommages accidentels (y compris le feu, le vent ou d'autres actes de Dieu).
  - Taches permanentes causées par des lotions, des huiles ou d'autres substances.
  - Les dépôts d'eau dure ou l'accumulation de calcium en raison de minéraux trouvés dans l'approvisionnement en eau de la région.
  - Table / tops de sole ou de bases installées et / ou utilisés avec les bases d'autres fabricants de table, table ou supérieure foyer, ou une mauvaise installation de la base au sommet de la table.
  - Meubles utilisé pour un usage commercial ou institutionnel. (Voir la garantie commerciale au [owlee.com](http://owlee.com).)
  - Les articles qui sont réparés, remis en état ou autrement modifiées par toute personne ou entité autre que OW Lee.
- S'il vous plaît noter : Un entretien régulier doit être exercé comme indiqué dans les instructions d'entretien.

**Retour de meubles l'autorisation** préalable du représentant de l'usine ou de l'usine est nécessaire. Vous devez être l'acheteur original et être en mesure de fournir une preuve d'achat lorsque vous faites une réclamation. Pour soumettre une demande de garantie, contactez le revendeur où vous avez acheté vos meubles. Si vous n'êtes pas sûr de savoir comment contacter le revendeur, contactez notre service de garantie au (800) 776-9533, par télécopieur: (909) 947-6614 et / ou par courriel à [owleera@gmail.com](mailto:owleera@gmail.com).

Si la plainte est couvert par la garantie et le mobilier est retourné dans les 24 mois à compter de la date d'achat. OW Lee prendra des dispositions pour le fret pick-up et de payer le fret de surface de l'emplacement du concessionnaire à l'usine. Le consommateur est responsable des frais de transport vers et depuis l'usine si au-delà du délai indiqué ci-dessus. Mobilier de retour doit être cartonné pour le fret ramasser. Le mobilier doit avoir été utilisé uniquement pour un usage résidentiel tel que défini dans l'ordre d'achat initial.

Sauf disposition expresse des présentes, OW Lee ne donne aucune garantie, expresse ou implicite, y compris, mais sans s'y limiter, les garanties de marchande et d'adéquation à un usage particulier. demandes de garantie limitée de OW Lee ne peuvent être traitées directement par OW Lee par le concessionnaire qui a effectué la vente de la marchandise. Dans le cas où le style de meubles, finition du cadre, du tissu ou de la table a été abandonnée, OW Lee remplacera le produit avec un article similaire actuellement offert par OW Lee.

# MODE D'EMPLOI

\* Nous vous recommandons de vous familiariser avec le schéma de la vanne de contrôle avant d'installer votre Fire Pit. Cela vous aidera à être sûr de faire fonctionner le foyer quand il sera complètement installé (voir les figures ci-dessous pour connaître les positions de contrôle typiques).

## POUR VOTRE SÉCURITÉ, LIRE AVANT D'ALLUMER



**ATTENTION: L'INOBSERVATION DE CES INSTRUCTIONS À LA LETTRE POURRAIT ÊTRE LA CAUSE D'UN INCENDIE OU D'UNE EXPLOSION ENTRAÎNANT DES DOMMAGES MATÉRIELS, DES BLESSURES OU LA MORT.**

**AVANT D'ALLUMER L'AFFICHE** - Sentez tout autour de la zone du foyer extérieur pour détecter une odeur d'œufs pourris. Assurez-vous de sentir près du sol car le gaz propane est plus lourd que l'air et va se déposer sur le sol.

**SI VOUS SENTEZ UNE ODEUR D'OEUF ROTTÉE, IMMÉDIATEMENT** - Fermez l'alimentation en gaz de l'appareil. Si l'odeur persiste, éloignez-vous de l'appareil et appelez immédiatement votre fournisseur de gaz ou le service des incendies.

Utilisez uniquement votre main pour enfoncer et tourner le bouton de contrôle du gaz (ne jamais utiliser d'outils). Si le bouton ne s'enfonce pas ou ne tourne pas à la main, NE PAS le forcer ou essayer de le réparer. Appelez un technicien de service qualifié et professionnel pour obtenir de l'aide sur la réparation. Forcer ou tenter de réparer le bouton peut provoquer un incendie ou une explosion, des blessures graves, la mort ou des dégâts matériels.

**NE PAS** utiliser cet appareil si une partie quelconque a été submergée. Appelez immédiatement un technicien qualifié pour inspecter l'appareil et pour remplacer toute pièce du système de contrôle et tout contrôle de gaz qui aurait été sous l'eau.

## INSTRUCTIONS D'ÉCLAIRAGE

### STOP - LIRE LES INFORMATIONS DE SÉCURITÉ CI-DESSUS

1. Assurez-vous que la vanne de contrôle du foyer ainsi que la vanne du réservoir de propane sont fermées.
2. Attendez au moins 5 minutes que le gaz se vide.
3. Tournez lentement la valve du réservoir de propane dans le sens inverse des aiguilles d'une montre jusqu'à ce qu'elle soit complètement ouverte.  
**ATTENTION: Ne laissez pas le gaz fonctionner sans allumer le brûleur pour éviter une explosion.**
4. Appuyez et maintenez enfoncé l'allumeur électronique pour créer des étincelles avec l'électrode.
5. Enfoncez légèrement le bouton de réglage du gaz et tournez dans le sens inverse des aiguilles d'une montre jusqu'à la position «Ignite / Low» (allumer / baisser) pour allumer le brûleur. Maintenez le bouton de gaz enfoncé pendant environ 15-30 secondes pour permettre au thermocouple de sécurité de chauffer et ouvrez le robinet de gaz afin que le foyer reste allumé.
6. Pour augmenter la hauteur de la flamme une fois allumée, tournez la vanne du foyer dans le sens anti-horaire à la position «Élevé».
7. Si allumage ne se produit pas, tournez le robinet d'entrée dans le sens des aiguilles d'une montre sur la position «off» et attendez 5 minutes que vous voyez et répétez les étapes 4 et 5.

### Extinction du foyer

1. Enfoncez légèrement le bouton de réglage manuel du gaz et tournez dans le sens des aiguilles d'une montre jusqu'à la position «OFF».
2. Une fois le foyer éteint, attendez 5 minutes que le gaz se vide.
3. Après que le foyer soit complètement éteint et refroidi. Fermez la vanne du réservoir de propane ou de la vanne d'alimentation en gaz naturel en position «arrêt» afin d'éviter toute fuite de gaz tant qu'elle n'est pas utilisée.



## Proposition 65: Avertissement public

La loi de 1986 sur la sécurité de l'eau potable et les substances toxiques, généralement appelée Proposition 65, impose au gouverneur de publier une liste de produits chimiques «connus de l'État pour causer le cancer, des anomalies congénitales ou des troubles de la reproduction». public trimestriel des expositions potentielles à ces produits chimiques résultant des produits qu'elles utilisent, fabriquent ou distribuent

Les installations de la société stockent du propane et le distribuent à des clients de gros et de détail en Californie pour diverses utilisations. Le propane en tant que tel n'est pas un produit chimique répertorié de la Proposition 65. La combustion de propane dans des appareils tels que des poêles ou des systèmes de chauffage et des véhicules utilisant du propane crée des produits chimiques nocifs. Ces produits chimiques comprennent le monoxyde de carbone, le benzène, le formaldéhyde et l'acétaldéhyde - Tous les produits chimiques reconnus par l'État comme pouvant causer le cancer et / ou des anomalies congénitales.

La société encourage tous ses clients à utiliser le propane en toute sécurité. Vous devez lire et suivre toutes les instructions d'utilisation, d'entretien et de fabrication des appareils et équipements au propane. Une bonne ventilation et une inspection fréquente des appareils et équipements au propane sont fortement recommandés. Si une odeur de gaz est détectée, contactez immédiatement la société ou un technicien qualifié.

Remarques

# CONVERSION DU FOYER POUR UN GAZ DE TYPE DIFFÉRENT



**Cette conversion ne doit être effectuée que par un technicien de service qualifié ou un plombier agréé.**

Pour convertir le foyer du propane au gaz naturel ou vice versa, suivre soigneusement les étapes ci-dessous (un kit de conversion muni de l'orifice approprié pour la conversion du brûleur au gaz naturel est inclus avec les instructions)

- S'ASSURER QUE L'ALIMENTATION DU FOYER EN GAZ, AINSI QUE TOUTES SOURCES ET TOUS APPAREILS ÉLECTRIQUES À PROXIMITÉ, SOIENT FERMÉS OU À L'ARRÊT.**
- Détacher délicatement le flexible du connecteur de la ligne fixée au support de l'orifice (Figure 1 #) et dévisser le support de l'orifice du tuyau du brûleur (figures n ° 1 et n ° 2).
- Séparer l'orifice du support (figure n ° 2) et le remplacer par un de la taille appropriée selon les exigences du gaz. Le propane demande un orifice plus petit.
- Si vous convertissez du gaz propane (LP) au gaz naturel, installez le manchon de l'obturateur d'air de manière à ce que les orifices d'admission d'air soient fermés (Figure 2). Pour le gaz propane, retirez l'obturateur d'air de façon à ce que les orifices d'admission d'air soient ouverts (Figure 1). Une fois que l'unité est assemblée pour être utilisée, il est nécessaire de "vérifier l'étanchéité" en utilisant une **solution de savon** liquide sur toutes les connexions avant de mettre l'unité en marche.
- IL EST NÉCESSAIRE DE POSER L'ÉTIQUETTE OU LA PLAQUE SIGNALÉTIQUE INCLUSE DANS LE KIT DE CONVERSION AFIN D'INDIQUER CLAIREMENT LA CONVERSION FAITE SUR PLACE.**

<p><b>FIGURE 1</b></p> <p>Labels: brûleur, Orifice, Support d'orifice, Tuyau de connexion, Trou d'admission d'air ouvert pour le GPL</p>	<p>Casual Fireside foyers sont adaptés pour l'installation à partir de 0 - 4500 m sans modification.</p>
<p><b>FIGURE 2</b></p> <p>Labels: brûleur, Orifice, Support d'orifice, Tuyau de connexion</p> <p>Lors de la conversion au gaz naturel, le volet d'air doit être installé sur le tuyau du brûleur.</p>	<p>Suivez les étapes 1 à 5 ci-dessus.</p> <p><b>LA CONVERSION DOIT ÊTRE EFFECTUÉE PAR UN ORGANISME DE SERVICE QUALIFIÉ, CONFORMÉMENT AUX EXIGENCES DU FABRICANT, DES AUTORITÉS PROVINCIALES OU TERRITORIALES COMPÉTENT CAN / CGA-B149.1 OU CAN / CGA-B149.2 CODES D'INSTALLATION.</b></p> <p>Après la conversion, suivez les instructions d'utilisation figurant à la page 11.</p>
	<p>Une fois l'unité convertie, vous devez la tester pour vérifier que les pressions d'entrée et de collecteur sont conformes aux spécifications de la page 3. En outre, le centre de service qualifié doit vérifier que le débit d'entrée de l'appareil converti correspond au débit indiqué ci-dessous.</p>

## RÉSERVÉ AU FABRICANT

### Contrôle de la qualité

Modèle	<u>COM0595A</u>
Orifice installé	<u>#45</u>
Orifice Inclus	<u>NG #30 COM0595CK</u>
Manchon d'obturateur	<u>Inclus</u>
Type de gaz	<u>Propane Liquide</u>

Date	_____
Numéro de série	_____
Ordre de travail #	_____
Note BTU	<u>LP 48,000 / NG 52,500</u>
Inspectrice	_____
Test de fuite	_____
Test de brûlure	_____